

VIDEO GEN. BD.
A084-90908-A968

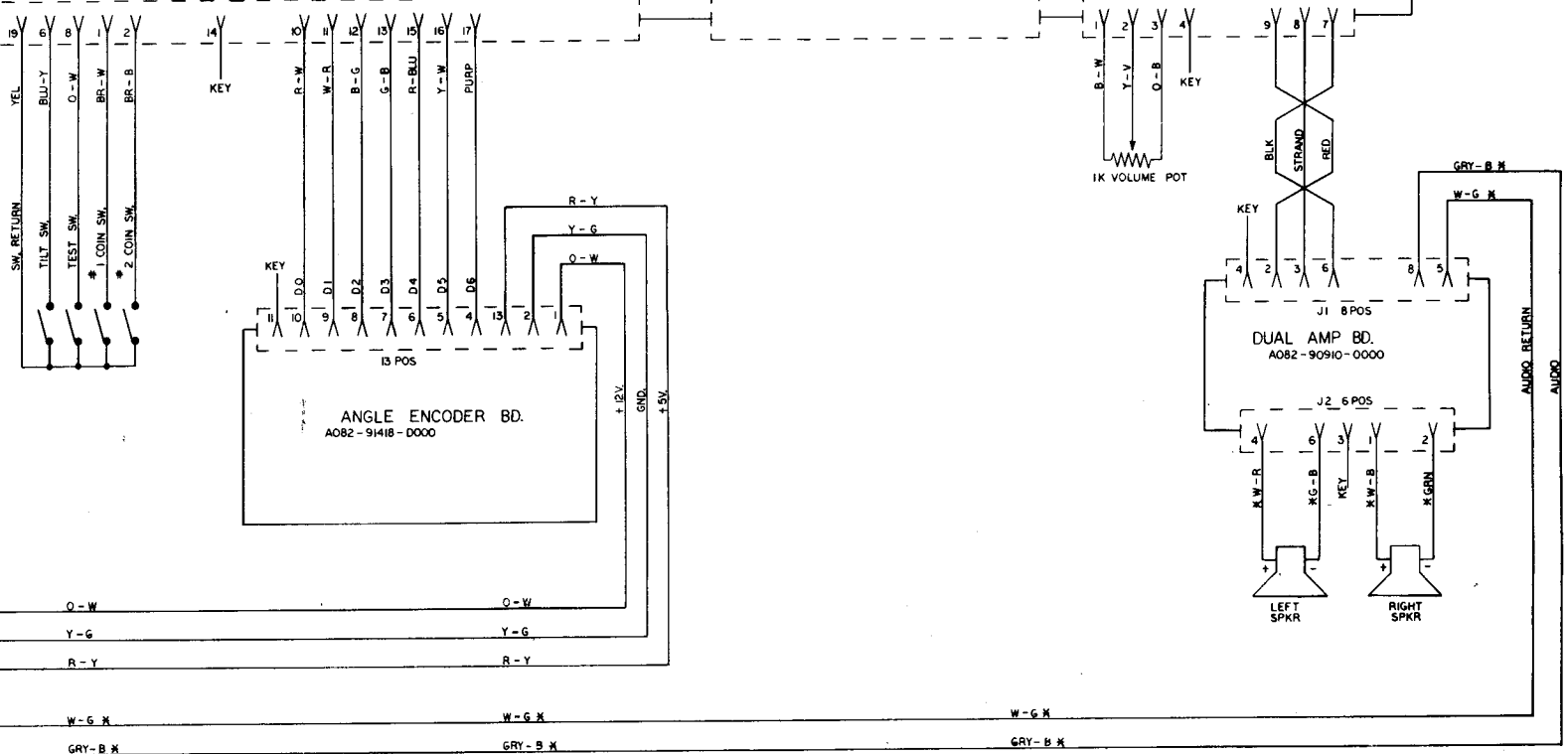
CPU BD.
A084-91399-A968

SOUND I/O BD.
A084-90009-A968

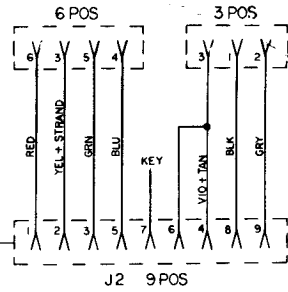
J4 19 POS

J6 10 POS

J3 9 POS

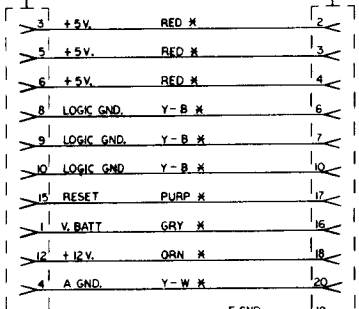


MONITOR JACK



POWER SUPPLY BD.
A082-90412-B000

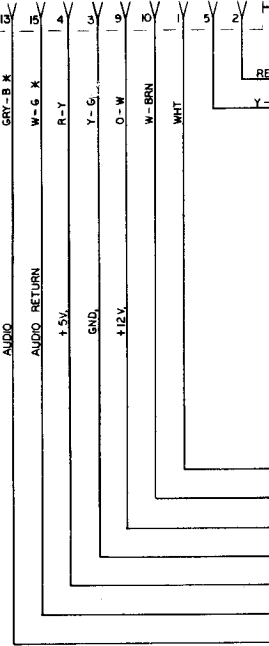
J4
15 POS



J1
20 POS

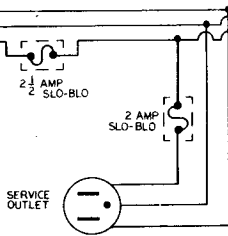
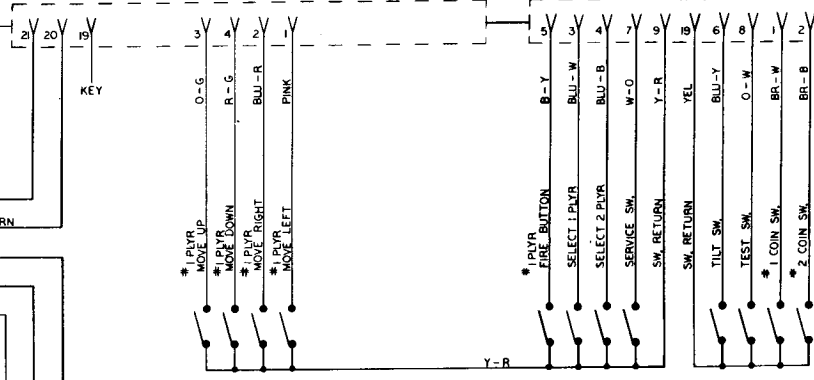
CPU
A084-913

J5 15 POS



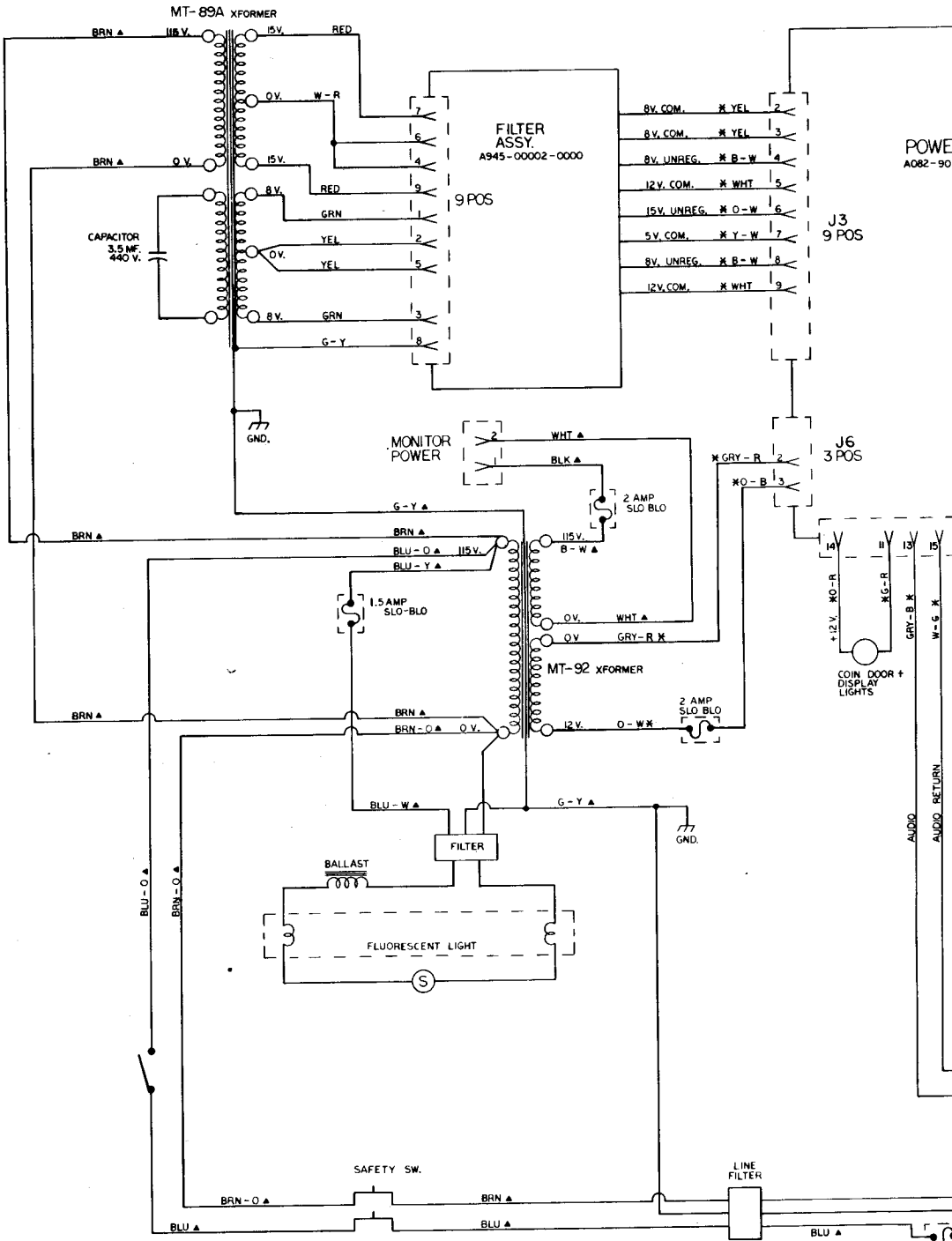
SOUND I/O
A084-90009-A96

J5 23 POS



- NOTES:
- * = 18 GA. WIRE
 - ▲ = 18 GA. SOOV. WIRE
 - G-Y GND. GOES TO ON-OFF SW, MONITOR, COIN DOOR, SPKR + CONTROL PANEL.

SERVICE OUTLET



TRON U.R. # M051-00628 - A003

MIDWAY MFG CO.
10601 W. BELMONT AVE.
FRANKLIN PARK, ILL. 60131

FINISHED 5/10/82 M. Konega

SERVICE OUTLET

VIDEO GEN BD.
A084-90908-A968

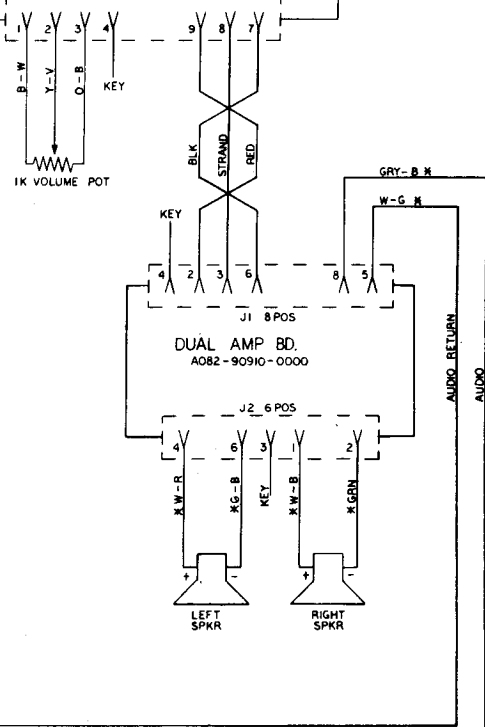
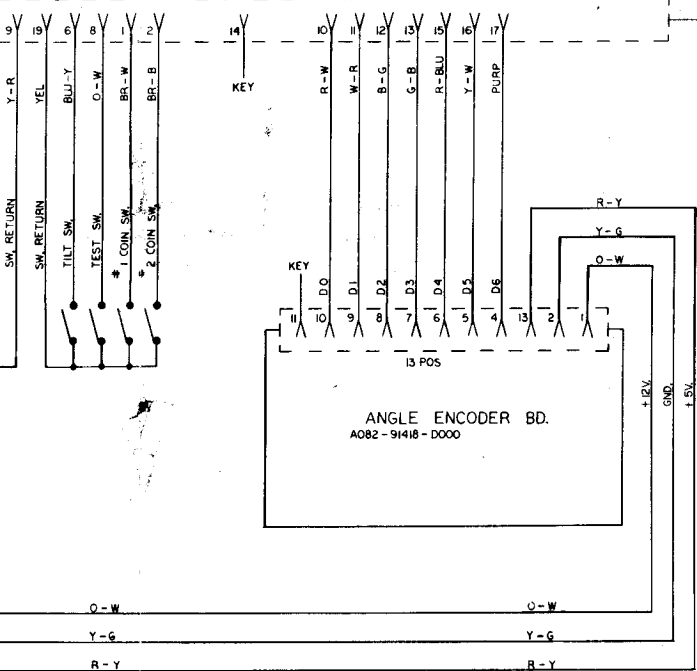
CPU BD.
A084-91399-A968

SOUND I/O BD.
A084-90003-A968

J4 19 POS

J6 10 POS

J3 9 POS



W-G-K

W-G-K

W-G-K

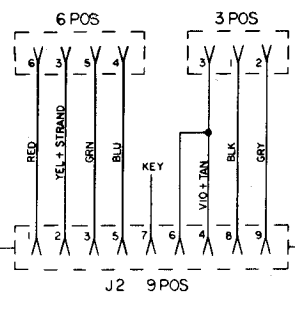
GRY-B-K

GRY-B-K

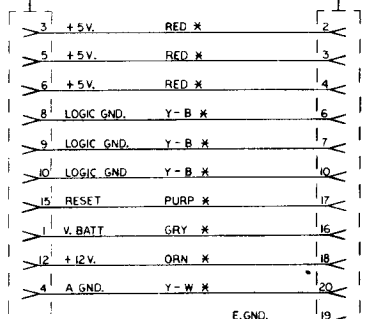
GRY-B-K

POWER SUPPLY BD.
A082-90412-8000

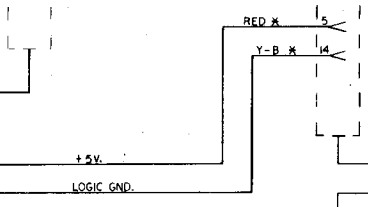
MONITOR JACK



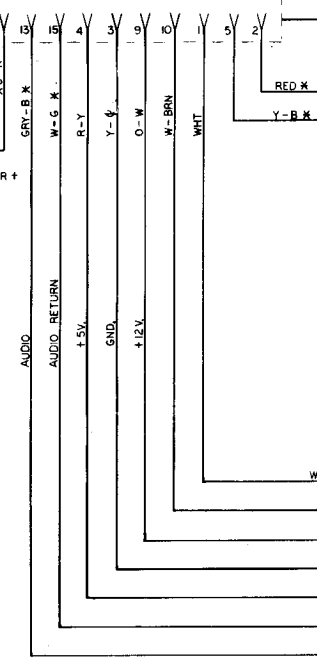
J4 15 POS



J1 20 POS



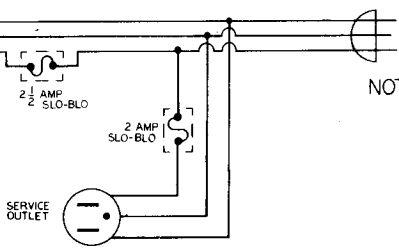
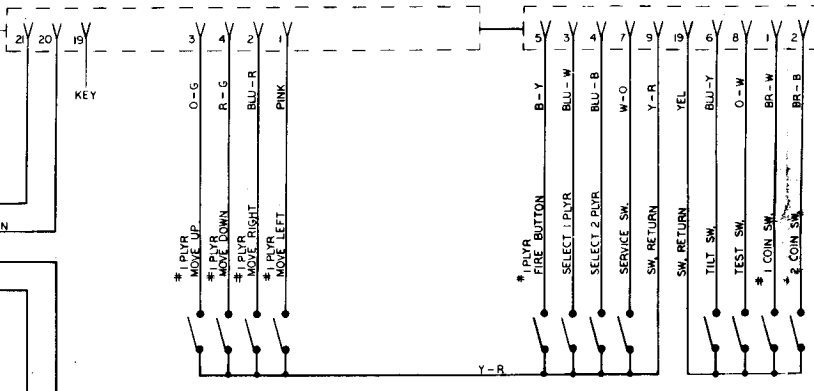
J5 15 POS



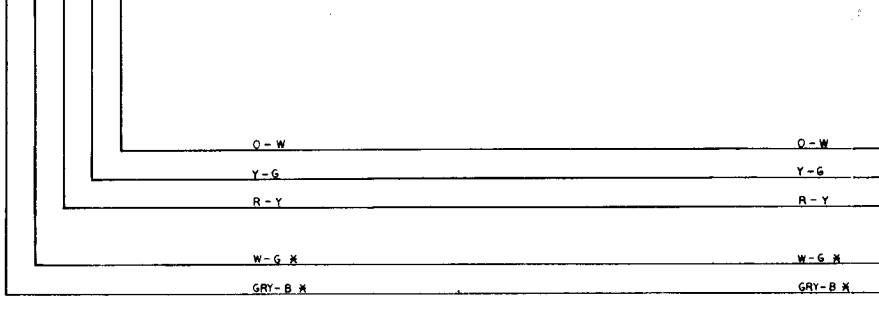
CPU
A084-91

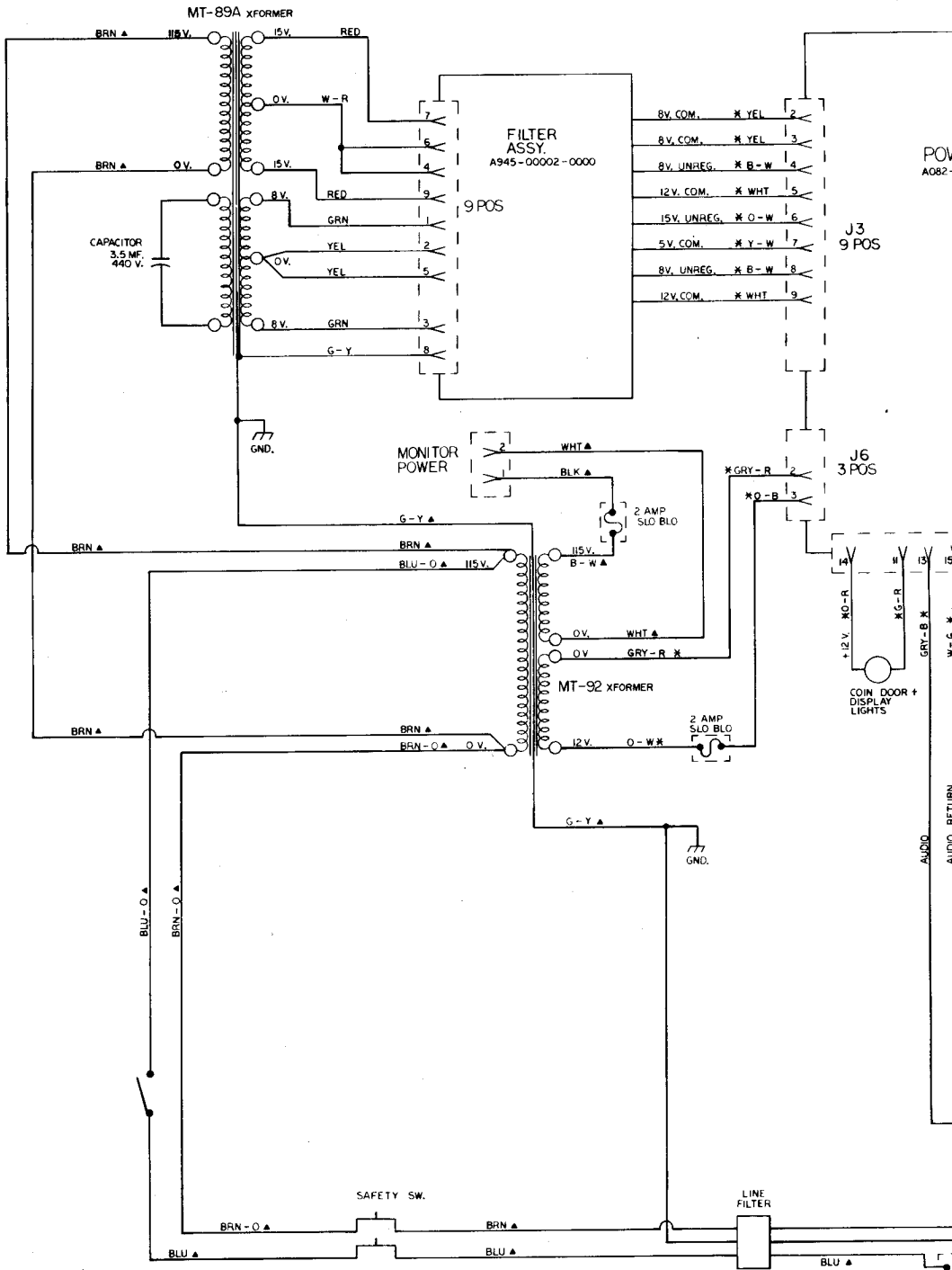
SOUND I/O
A084-90003-A96

J5 23 POS



- NOTES:
- * = 18 GA. WIRE
 - ▲ = 18 GA. 600V. WIRE
 - G-Y GND. GOES TO ON-OFF SW, MONITOR, COIN DOOR, SPKR + CONTROL PANEL.

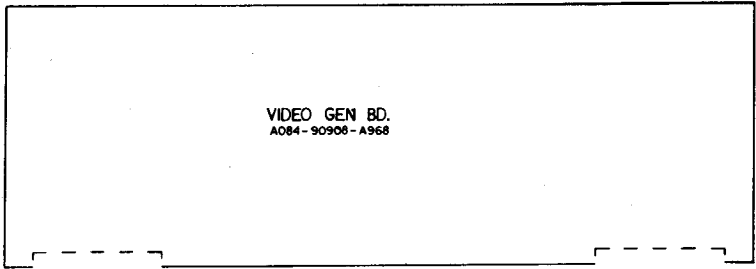




TRON MINI #M051-00728-A003

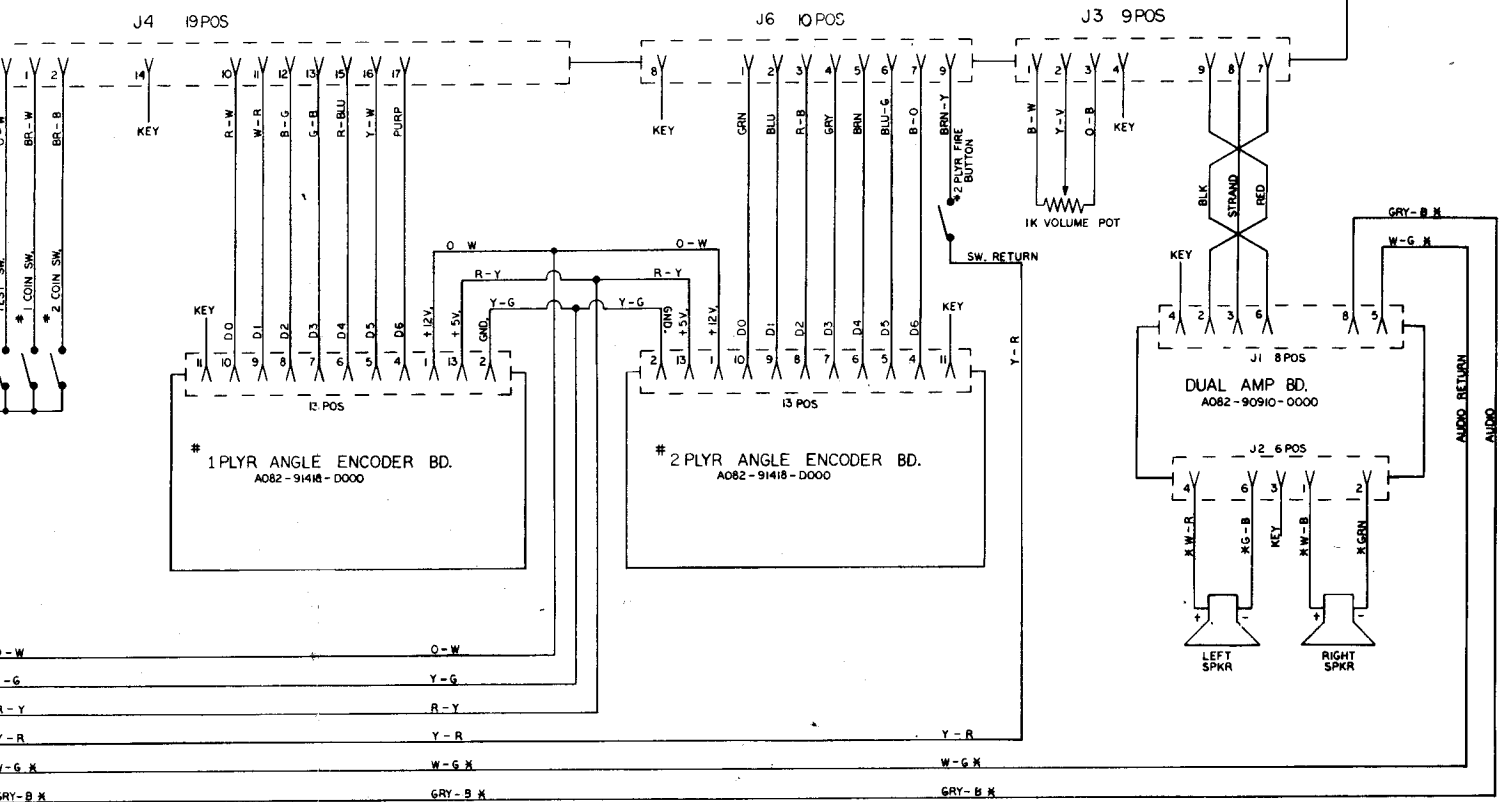
MIDWAY MFG CO.
10601 W. BELMONT AVE.
FRANKLIN PARK, ILL. 60131

FINISHED 5/10/82 M. Kenopa



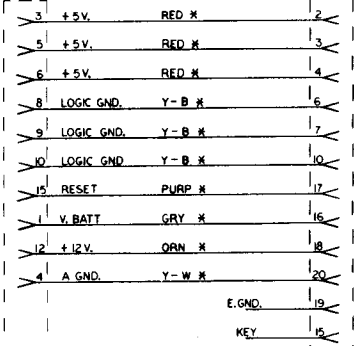
CPU BD.
A084 - 91399 - A968

SOUND I/O BD.
A084 - 90009 - A968



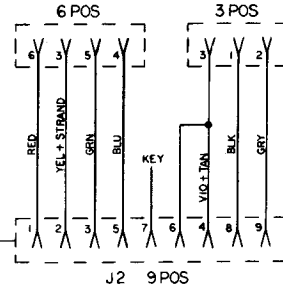
POWER SUPPLY BD.
A082-90412-8000

J4
15 POS



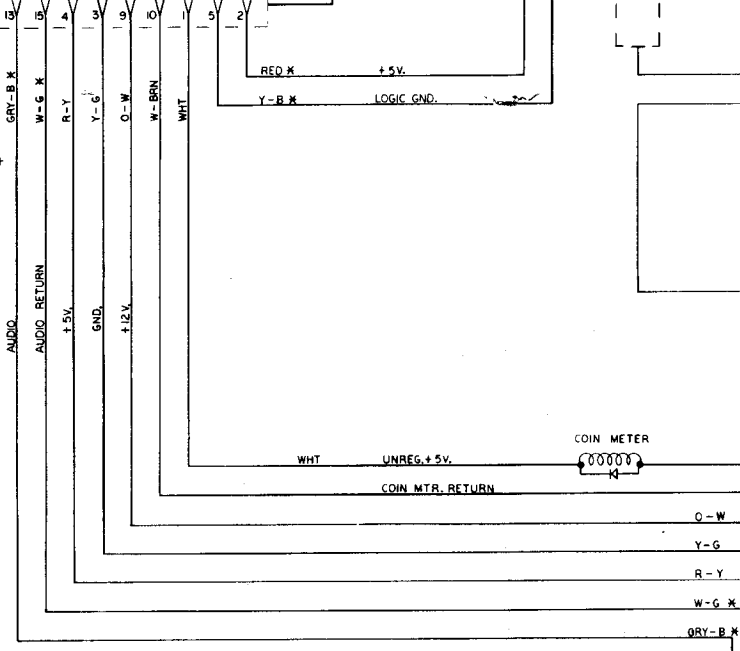
J1
20 POS

MONITOR JACK



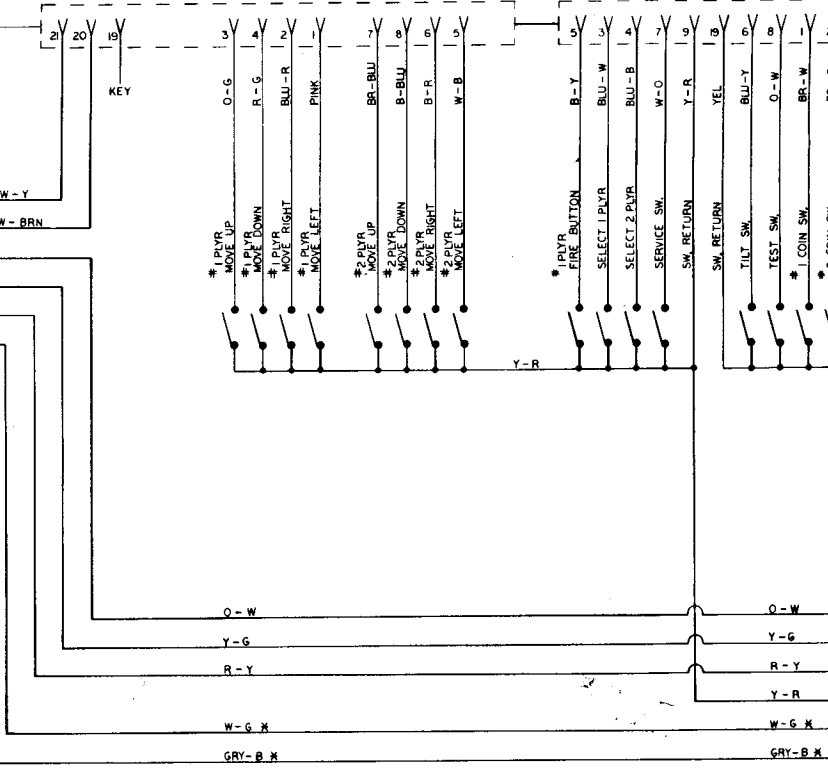
C.P.
A084

J5 15 POS



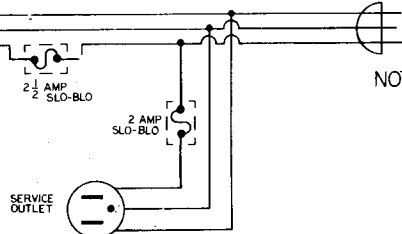
SOUND
A084-90009

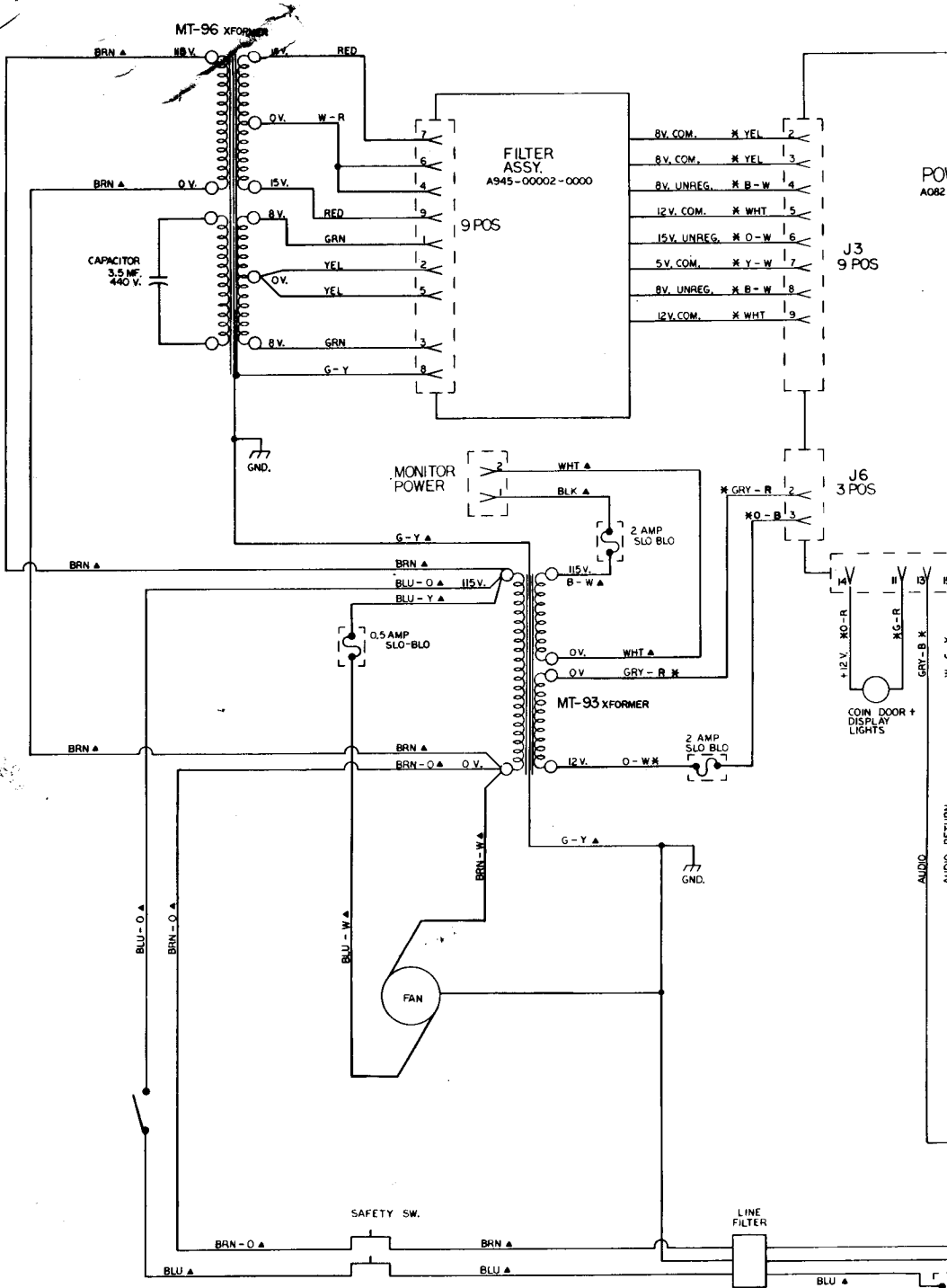
J5 23 POS



NOTES :

- * = 18 GA. WIRE.
- ▲ = 18 GA. 600V. WIRE
- G-Y GND. GOES TO ON-OFF SW, MONITOR, COIN DOOR, SPKR + CONTROL PANEL.





TRON C.T. # M051-00727-A003

MIDWAY MFG CO.
10601 W. BELMONT AVE.
FRANKLIN PARK, ILL. 60131

FINISHED 5/10/82 M. Konepa

SERVICE OUTLET

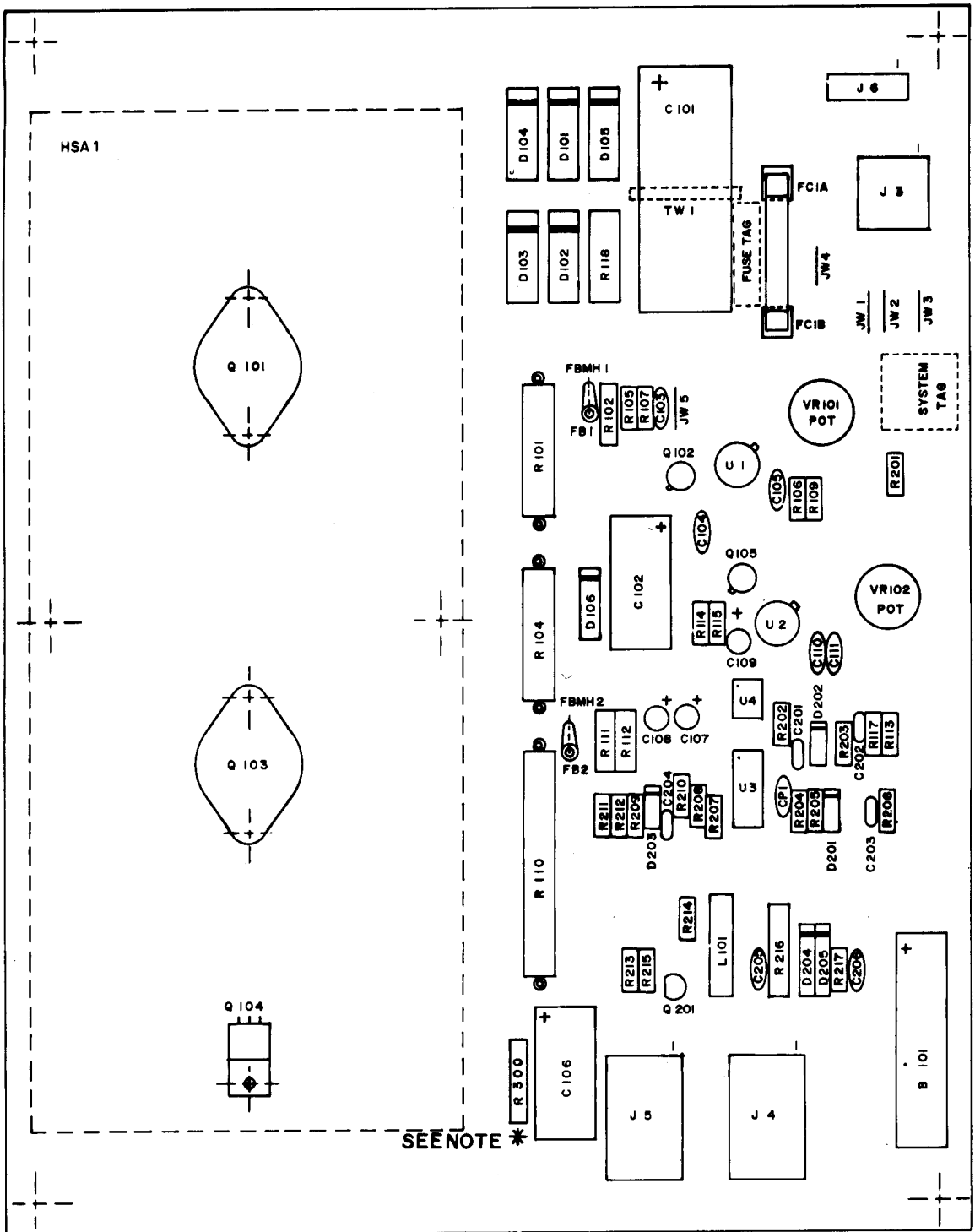
CROSS REFERENCE LIST

DESCRIPTION	Q'ty	DESIGNATION #	PART #			
47pf AX. CER.	1	C105	0945-00811-0100	FERRITE BEAD	2	FB1,2 0017-00000-0225
820pf AX. CER.	1	C205	0945-00816-0400	FERRITE MOUNTING HDW.		
.01uf AX. CER	1	C206	0945-00816-0100		2	FBMH1,2 0017-00000-0139
.01uf MYLAR	2	C201,203	0945-00816-0200	.22uH INDUCTOR	1	L101 0045-00814-0200
.033uf MYLAR	1	C202	0945-00816-0500	FUSE TAG	1	M051-00945-A004
.047uf MYLAR	1	C204	0945-00816-0300	SYSTEM TAG	1	M051-00945-A009
.1uf AX. CER.	5	C103,104,110,111, CP1	0945-00811-0200	P.C.B.	1	A080-00412-0000
1uf RAD. TANT	1	C108	0945-00811-0300	HEAT SINK ASS'Y	1	HSA 1 A945-00008-0000
4.7uf RAD. TANT	1	C109	0945-00811-0400	(SEE HS ASS'Y DRAWING "XX NOTE")		
100uf RAD. TANT	1	C107	0945-00811-0500	4-40 X 10 SLT RND	2	MH HSA 1A, 2A 0017-00101-00727
470uf AX. ELECT.	2	C102,106	0945-00816-0600	4-40 HEX NUT	2	MH HSA 1E, 2E 0017-00105-0002
470uf AX. ELECT.	1	C101	0945-00811-0700	WSH 4-120-.250-018	4	MH HSA 1B, 1C, 2B 0017-00104-0071
.18ohm 15W 5%	1	R110	0945-00815-0100			
.18ohm 5W 5%	1	R101	0945-00815-0200			
6.8ohm 1/2W 5%	1	R111	0062-047D3-1XXX			
10ohm 5W 5%	1	R104	0945-00812-0100			
27ohm 1/4W 5%	1	R105	0062-068B3-1XXX			
47ohm 1/4W 5%	1	R114	0062-088B3-1XXX			
68ohm 1/2W 5%	5	R102,112,R300	0062-098D3-1XXX			
82ohm 1W 10%	1	R216	0062-104F5-1XXX			
150ohm 2W 5%	1	R118	0945-00812-0200			
180ohm 1/4W 5%	1	R115	0062-124B3-1XXX			
270ohm 1/4W 5%	3	R106,201,217.	0062-138B3-1XXX			
560ohm 1/4W 5%	1	R117	0062-162B3-1XXX			
1K 1/4W 5%	1	R109	0062-179B3-1XXX			
1.2K 1/4W 5%	3	R113,202,215	0062-183B3-1XXX			
3.9K 1/4W 5%	1	R214	0062-207B3-1XXX			
4.7K 1/4W 5%	1	R107	0062-217B3-1XXX			
33K 1/2W 5%	1	R207	0062-251B3-1XXX			
75K 1/4W 5%	2	R211,212	0062-269B3-1XXX			
100K 1/4W 5%	1	R206	0062-275B3-1XXX			
220K 1/4W 5%	1	R213	0062-291B3-1XXX			
1M 1/4W 5%	1	R209	0062-323B3-1XXX			
1.1M 1/4W 5%	1	R203	0062-325B3-1XXX			
1.2M 1/4W 5%	1	R210	0062-327B3-1XXX			
2M 1/4W 5%	1	R208	0062-337B3-1XXX			
3.3M 1/4W 5%	1	R204	0062-347B3-1XXX			
10M 1/4W 5%	1	R205	0062-371B3-1XXX			
100ohm POT	2	VR101,102	0945-00814-0000			
A15F RECTIFIER	5	D101-105	0945-00804-0200			
1N4001	3	D106,204,205	0945-00804-0300			
1N4148	3	D201-203	0945-00804-0500			
2N2905	2	Q102,105	0945-00808-0300			
2N4401	1	Q201	0945-00804-0400			
LM305 REG.	2	U1,2	0945-00813-0100			
LM3900	1	U3	0945-00813-0200			
4N28	1	U4	0945-00813-0300			
BATTERY 3.6VDC 60DEG-C	1	B101	0017-00003-0377			
FUSE 3/8A S-BLO	1	F1	0945-00808-0400			
FUSE CLIP	2	FC1A,1B	0017-00003-0214			
TIE WRAP	1	TW1	0945-00814-0300			

* NOTE: THIS RESISTOR MUST BE IN CIRCUIT FOR PROPER OPERATION.

PROJ. ENG : L. DEKKER

DO NOT SCALE DWG.		HEAT TREAT	SCALE	NO. REQ'D	PER	MIDWAY MFG. CO. FRANKLIN PK ILL	
DIM TOLERANCES UNLESS SPECIFIED	DRN <i>C.L.</i>	MAT'L	ASSEMBLY DRAWING PWR SPLY		PART NO		
CONCENTRICITY TIR .003	CKD <i>L.D.</i>	FINISH	125VA W/CKT SPRT		M051 - 00945-C006		
FRACTIONAL 1/64	DATE 6/4/82		A082-90412-C000				
DECIMAL .005							
HOLE DIA +.002 .000							

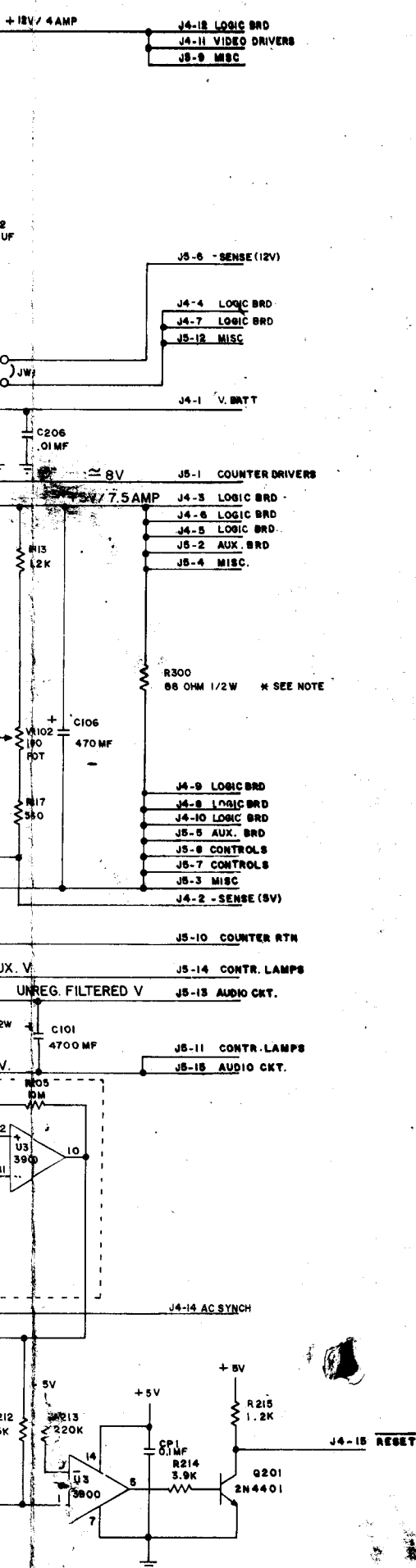


CROSS REFERENCE LIST

DESCRIPTION	Q'ty	DESIGNATION #	PART #
3PIN P.C. MOUNT CONN. (MALE)	1	J6	0017-00021-0443
9PIN P.C. MOUNT CONN.(MALE)	1	J3	0017-00021-0425
15PIN P.C. MOUNT CONN.(FEMALE)	1	J4	0017-00021-0441
15PIN P.C. MOUNT CONN.(MALE)	1	J5	0017-00021-0440
22AWG T & R BARE 2.5"	5	JW1-5	0151-00087-0000

DESIGNATION LIST

DESIGNATION #	DESCRIPTION	DESIGNATION #	DESCRIPTION
C101	4700uf AX. ELECT.		
C102	470uf AX. ELECT.	Q102	2N2905
C103	.1uf AX. CER.	Q105	2N2905
C104	.1uf AX. CER.	Q201	2N4401
C105	47pf AX. CER.		
C106	470uf AX. ELECT.		
C107	100uf RD. TANT.		
C108	1uf RD. TANT.	U1	LM305 REG.
C109	4.7uf RD. TANT.	U2	LM305 REG.
C110	.1uf AX. CER.	U3	LM3900
C111	.1uf AX. CER.	U4	4N28
C201	.01uf MYLAR	L101	.22uH INDUCTOR
C202	.033uf MYLAR	B101	BATTERY 3.6VDC 60DEG-C
C203	.01uf MYLAR	F1	3/8A S-BLO FUSE
C204	.047uf MYLAR	FC1A,1B	FUSE CLIP
C205	820pf AX. CER.	FE1,2	FERRITE BEAD
C206	.01uf AX. CER.	TW1	TIE WRAP
CP1	.1uf AX. CER.	J3	9PIN P.C. MOUNT CONN.(MALE)
		J4	15PIN P.C. MOUNT CONN.(FEMALE)
		J5	15PIN P.C. MOUNT CONN.(MALE)
		J6	3PIN P.C. MOUNT CONN.(MALE)
R101	.18ohm 5W W/RES. SPACER		
R102	68ohm 1/2W 5%		
R104	10ohm 5W W/RES. SPACER		
R105	27ohm 1/4W 5%	LB1	FUSE TAG
R106	270ohm 1/4W 5%	LB2	SYSTEM TAG
R107	6.2K 1/4W 5%		
R109	1K 1/4W 5%		
R110	.16ohm 15W W/RES. SPACER	HSA1	HEAT SINK ASS'Y 1
R111	6.8ohm 1/2W 5%	MHSA1	MOUNTING HARD WARE(HEAT SINK)
R112	68ohm 1/2W 5%		2-SCREW
R113	1.2K 1/4W 5%		4-WASHER
R114	47ohm 1/4W 5%		2-HEXNUT
R115	160ohm 1/4W 5%		
		JW1-5	JUMPER WIRE
		FBMH1,2	FERRITE BEAD MOUNTING HARDWARE
R117	560ohm 1/4W 5%		
R118	150ohm 2W		
R201	270ohm 1/4W 5%		
R202	1.2K 1/4W 5%		
R203	1.1M 1/4W 5%		
R204	3.3M 1/4W 5%		
R205	10M 1/4W 5%		
R206	100K 1/4W 5%		
R207	33K 1/4W 5%		
R208	2M 1/4W 5%		
R209	1M 1/4W 5%		
R210	1.2M 1/4W 5%		
R211	75K 1/4W 5%		
R212	75K 1/4W 5%		
R213	220K 1/4W 5%		
R214	3.9K 1/4W 5%		
R215	1.2K 1/4W 5%		
R216	62ohm 1W 10%		
R217	270ohm 1/4W 5%		
R300	68 " 1/2W 5%		
VRI04,102	100ohm PGT		
D101	A15F		
D102	A15F		
D103	A15F		
D104	A15F		
D105	A15F		
D106	1N4001		
D201	1N4148		
D202	1N4148		
D203	1N4148		
D204	1N4001		
D205	1N4001		



PROJECT ENG: L. DEKKER

DO NOT SCALE DWG	DATE: 8/17/82	SCALE: FULL	NO. REVISIONS: 1 PER.
DIM. TOLERANCES: UNLESS SPECIFIED	DATE: 8/17/82	SCALE: FULL	NO. REVISIONS: 1 PER.
DATE: 8/17/82	SCALE: FULL	NO. REVISIONS: 1 PER.	
DATE: 8/17/82	SCALE: FULL	NO. REVISIONS: 1 PER.	

USED ON SOLARFOX

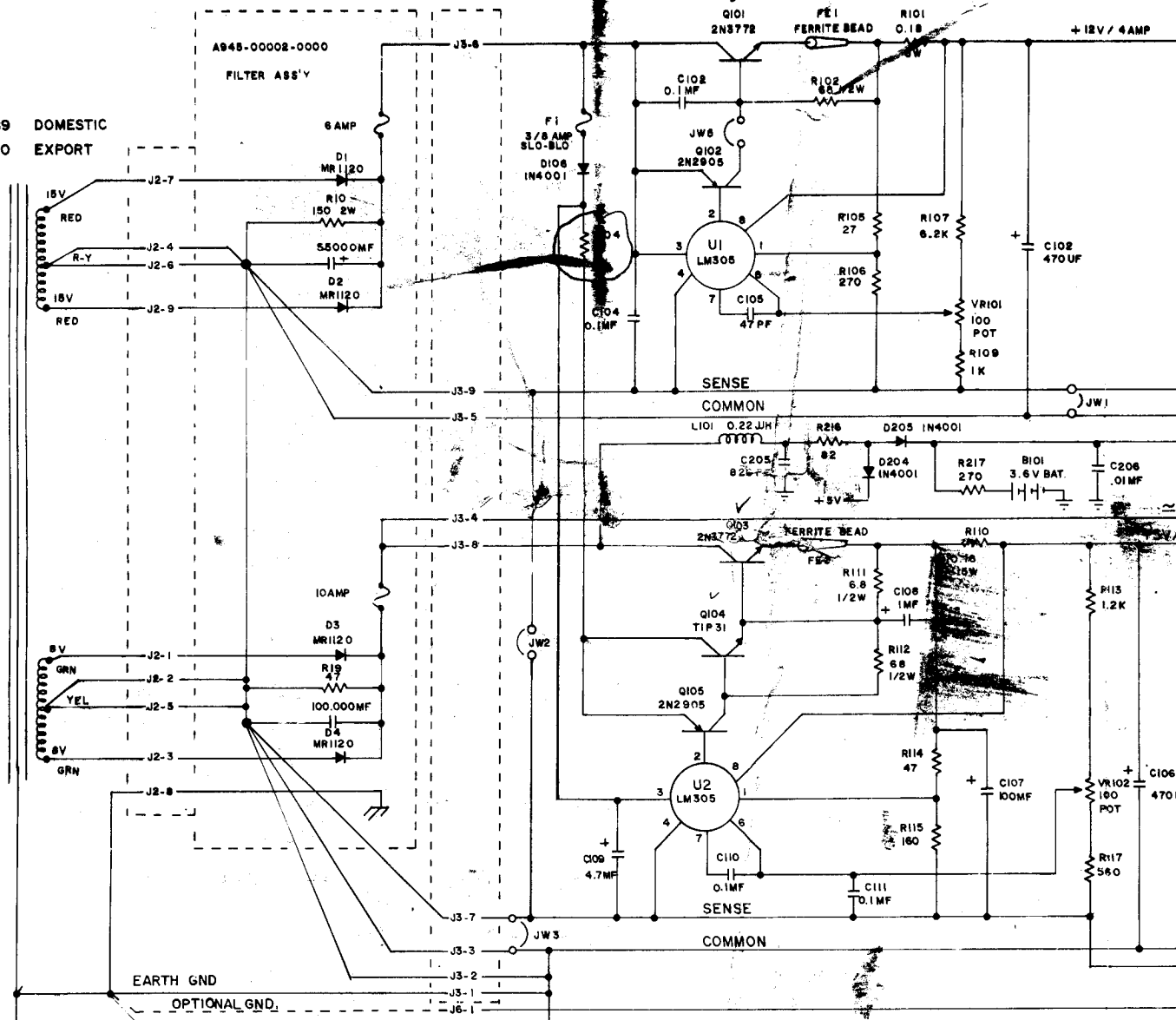
MIDWAY MFG. CO.

POWER SUPPLY 125VA
W/CKT SUPPORT A082-90412-C000

PART NO. M051-00945-C007

MT 89 DOMESTIC
MT 90 EXPORT

A945-0002-0000
FILTER ASS'Y

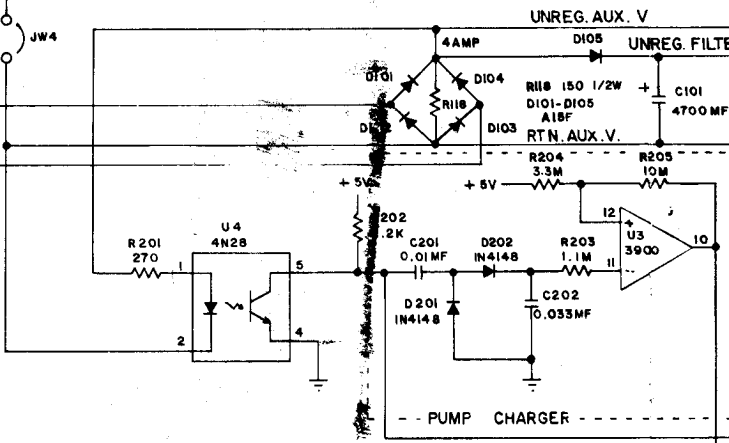


EARTH GND
OPTIONAL_GND

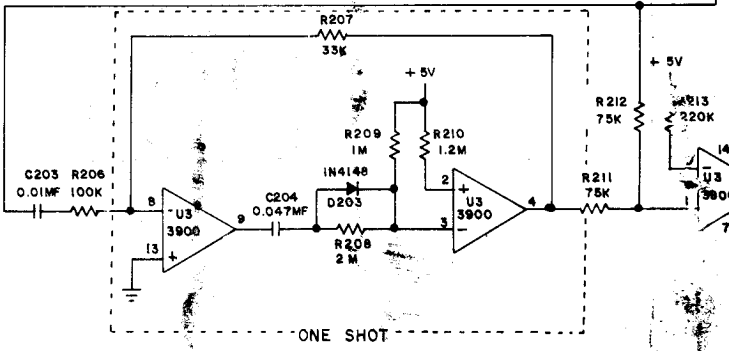
FUSE VALUE VARIES
WITH APPLICATION

TO MONITOR
SEE MECH. PANEL

MT 88

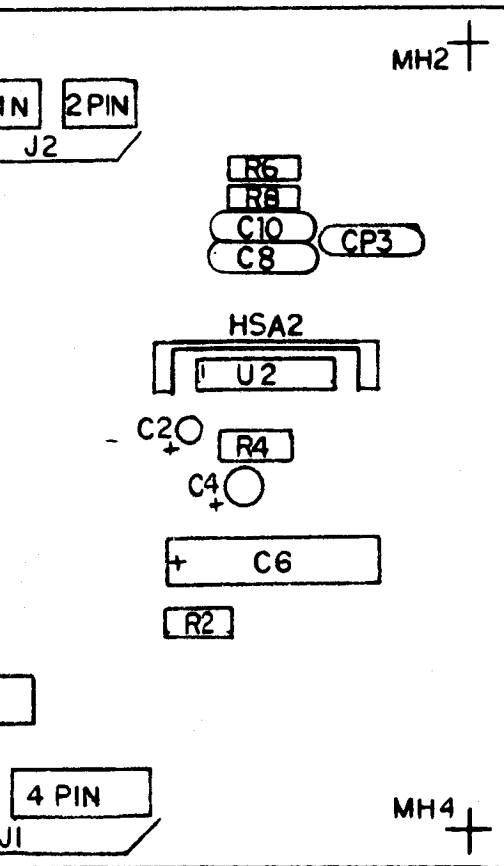


*NOTE: THIS RESISTOR IS A
DUMMY LOAD FOR
PROPER VOLTAGE
MEASUREMENT.



CROSS REFERENCE LIST

DESCRIPTION	QTY	DESIGNATION	PART NO.
.1mf 50v ax.cr.	6	C7-C10 CP2,CP3	0986-008001100
4.7mf 25v rd.tant.	2	C1,C2	0986-008003100
22mf 6v " "	2	C3,C4	0986-008001600
220mf 25v ax.elec.	1	CPI	0986-008003200
470mf 6v " "	2	C5,C6	0986-008001700
1Ω 1/2w 5%	4	R5-R8	0062-026D3-1XXX
27Ω 1/4w " "	2	R3,R4	0062-068B3-1XXX
2.7K " "	2	R1,R2	0062-199B3-1XXX
MB3730	2	U1,U2	0066-188XX-XX4X
2 PIN STRT.KKI56	1	J2	3000-16367-0200
3 " " "	2	J1,J2	3000-16367-0300
4 " " "	1	J1	3000-16367-0400
HEATSINK ASSY.	2	HSA1, HSA2	A986-00010-E000
HEYCO BUSHING	4	MHI-MH4	0017-00042-0014
PC BOARD	1		A080-90910-E000



ENG. C.MEDNICK

THIS DWG. IS CONFIDENTIAL & PROPERTY OF MIDWAY MFG. CO.

FIRST USED ON	TRON		
DRN	TJK	DATE	SCALE
		6-16-82	FULL
MECH CHK	MAT L		
ELEC CHK	FINISH		
C.M.M.			

MIDWAY MFG. CO.
FRANKLIN PK., IL. 60131 A BALLY CO.

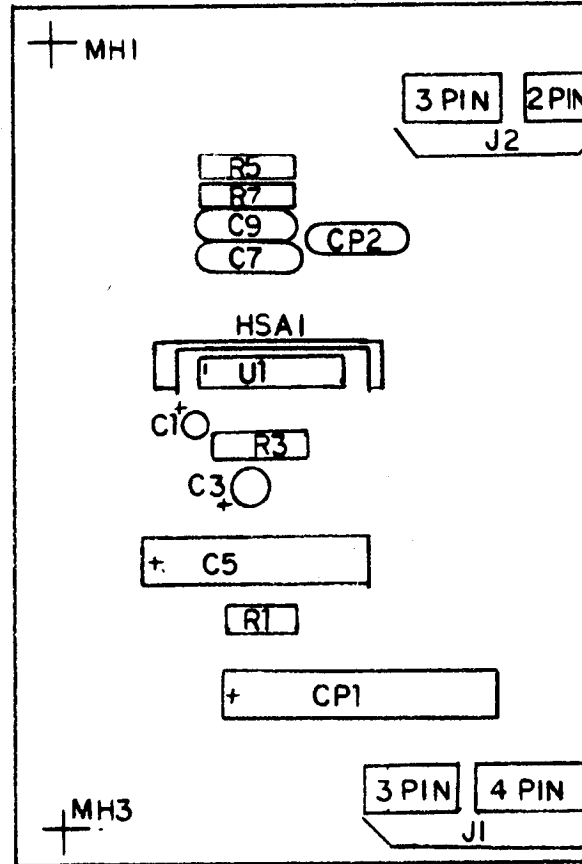
DUAL PWR. AMP. ASSY

A080-90910-E000

REVISIONS
PART NO.
M051-00986-E010

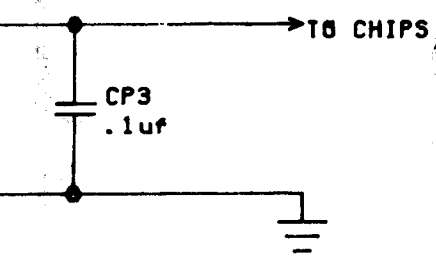
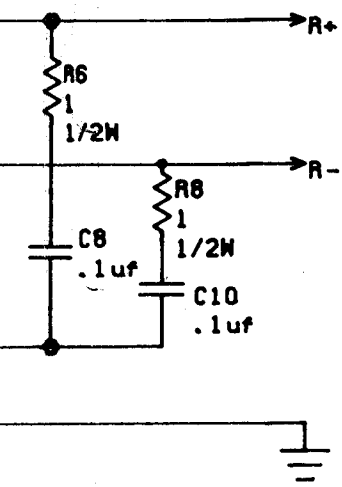
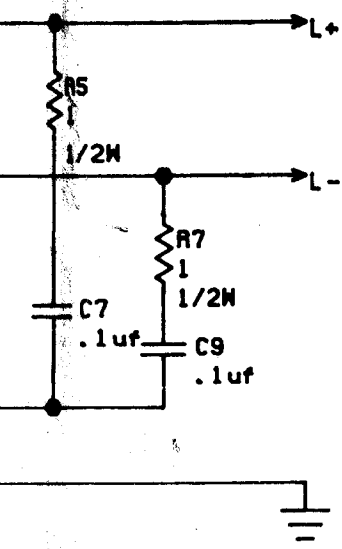
DESIGNATION LIST

<u>DESIGNATION</u>	<u>DESCRIPTION</u>
C1,C2	4.7mf 25v rd.tant.
C3,C4	22mf 6v " "
C5,C6	470mf 6v ax.elect.
C7-C10	.1mf 50v ax.cr.
CP1	220mf 25v ax.elect.
CP2,CP3	.1mf 50v ax.cr.
R1,R2	2.7K Ω 1/4w 5% CRBN.
R3,R4	27 Ω " " "
R5-R8	1 Ω 1/2w " "
U1,U2	MB3730
J1	3 PIN STRT. KK156
J2	3 " " "
HSA1,2	HEATSINK ASSY.
MH1-MH4	HEYCO BUSHING



PROJECT ENG. C.M.

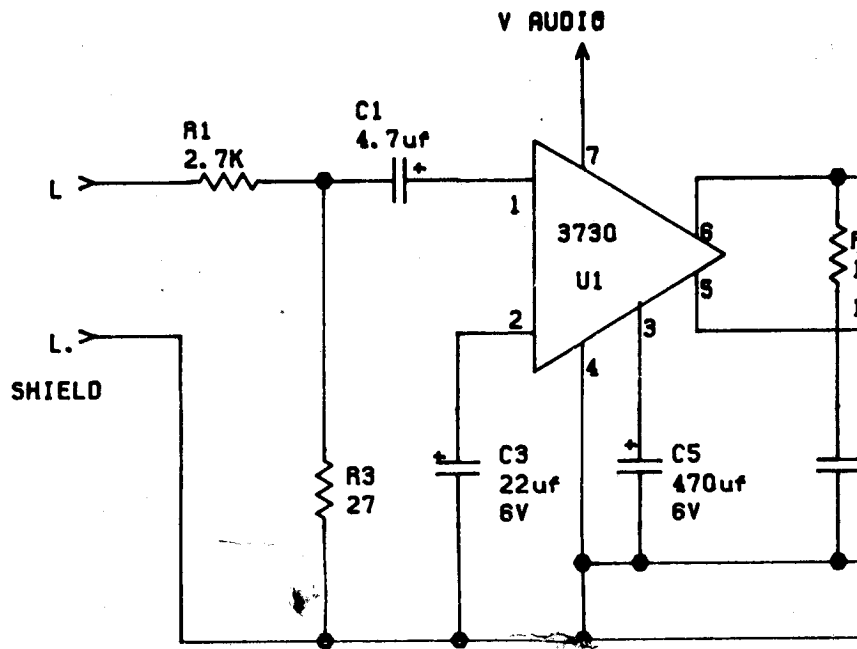
DIM. TOLERANCES UNLESS OTHERWISE SPEC. CONCENTRICITY T.I.R.002 FRACTIONAL ± .1/64 DECIMAL ± .005 HOLE DIA. +.002 - .000 ANGLE ± 1/2° DO NOT SCALE DWG	FIRST USED ON
	DRN TJK
	MECH CHK
	ELEC CHK
	<i>C. 7/11/71</i>



DO NOT SCALE DWG.		HEAT TREAT	SCALE	USED ON	REVISIONS
DIM. TOLERANCES UNLESS SPECIFIED	DRN. <i>SLR</i>	MAT'L	NONE	TRON	
CONCENTRICITY T I R .003		FINISH	SCHMATIC, DUAL POWER AMP.	NO. REQ'D	
FRACTIONAL 1/64			A082-90910--E000	IPER.	
DECIMAL005	DATE 5/17/82				
HOLE DIA +.002-.000					
MIDWAY MFG. CO.		PART NO.		FRANKLIN PK. ILL.	
		M051-00986-E011			

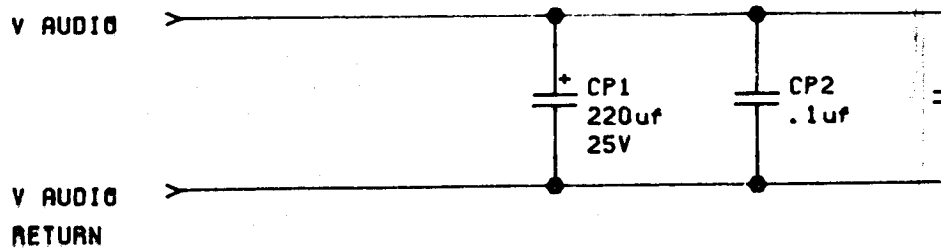
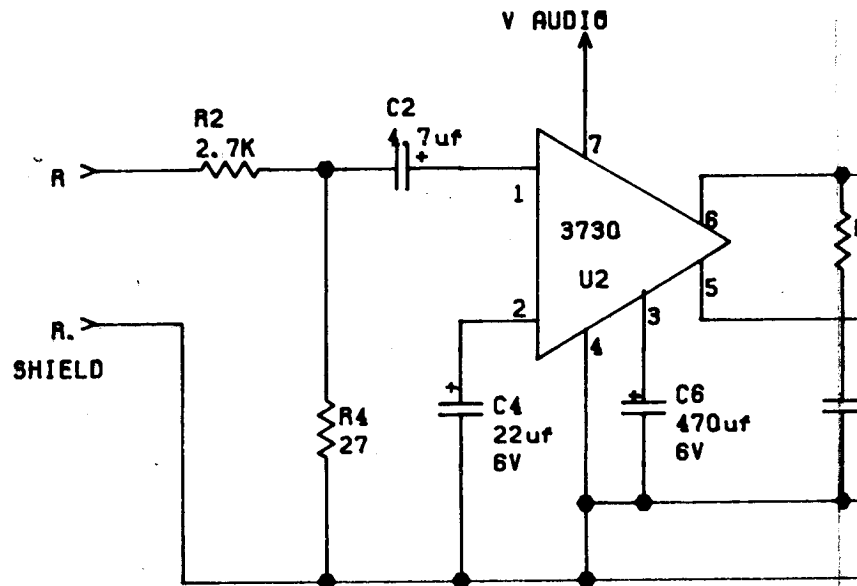
J1

PIN 1	_____	N. C.
• 2	_____	L. AUDIO
• 3	_____	L. SHIELD
• 4	_____	KEY
• 5	_____	V AUDIO RETURN
• 6	_____	R. AUDIO
• 7	_____	R. SHIELD
• 8	_____	V AUDIO



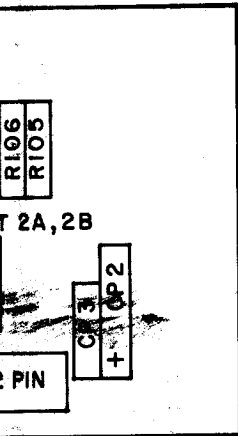
J2

PIN 1	_____	R+
• 2	_____	R-
• 3	_____	KEY
• 4	_____	L+
• 5	_____	N. C.
• 6	_____	L-



CROSS REFERENCE LIST

<u>DESCRIPTION</u>	<u>QTY</u>	<u>DESIGNATION NO.</u>	<u>PART NO.</u>
.01 μ f 50V AX. CER.	4	CP1, 3, 4, 6.	0628-00800-0100
4.7 μ f 16V RAD. TANT.	1	C 101	0628-00800-0200
10 μ f 16V AX. ELECT.	2	CP 2, 5.	0628-00800-0300
120 ohm 1/4W 5%	1	R 106	0062-116B3-1XXX
4.7K 1/4W 5%	3	R 101,102,111.	0062-211B3-1XXX
6.2K 1/4W 5%	2	R 105,112	0062-217B3-1XXX
20K 1/4W 5%	1	R 107	0062-241B3-1XXX
200K 1/4W 5%	4	R 103,104,109,110	0062-289B3-1XXX
100K 1/4W 5%	1	R 108	0062-275B3-1XXX
74LS491	1	U 1	0628-00803-2700
LM 339	1	U 2	0628-00803-2900
OPB 4453	1	OPT 1	0628-00804-0100
10 PIN KK-156 TYP. STRT. CONN.	1	J 1	3000-16367-1000
2 PIN KK-156 TYP. STRT. CONN.	1	J 1	3000-16367-0200
5-40 SCREW	2	MH OPT 1A, 2A	0017-00101-0084
5-40 NUT	2	MH OPT 1B, 2B	0017-00103-0003
P.C. BOARD	1		A080-91418-D000



REVISIONS		

STON		USED ON	TRON	MIDWAY MFG. CO. FRANKLIN PK. ILL.
HEAT TREAT	SCALE	NO. REQ'D	1 PER	
MAT'L.	ASS'Y DRAWING OPTICAL ENCODER A082-91418-D000			PART NO.
FINISH				M051-00114-D006

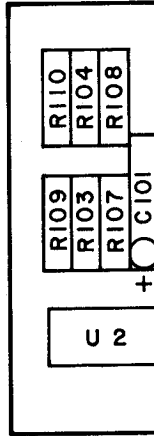
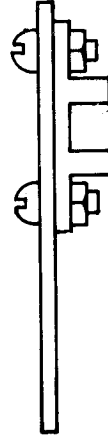
4-182

DESIGNATION LIST

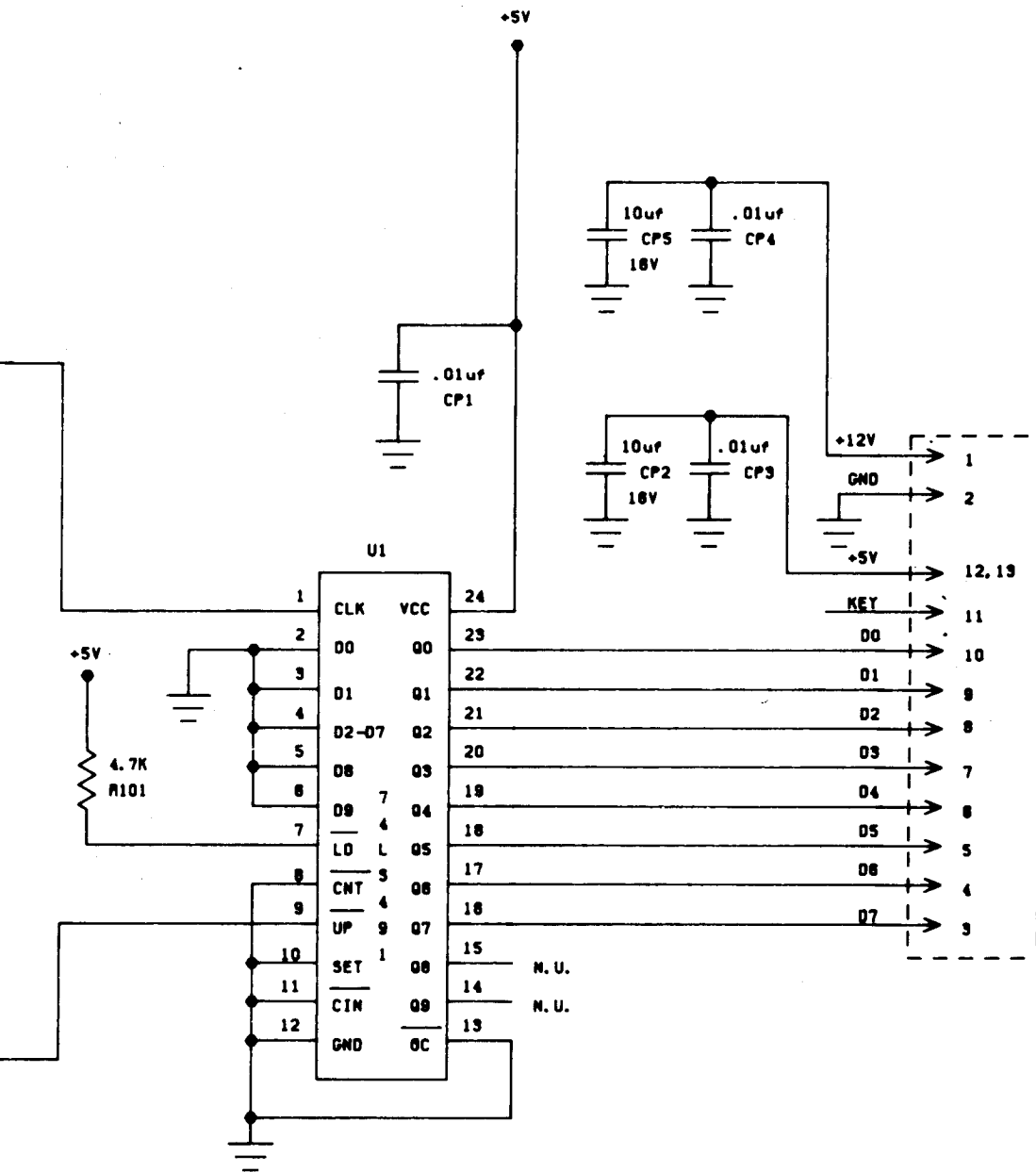
DESIGNATION NO.

DESCRIPTION

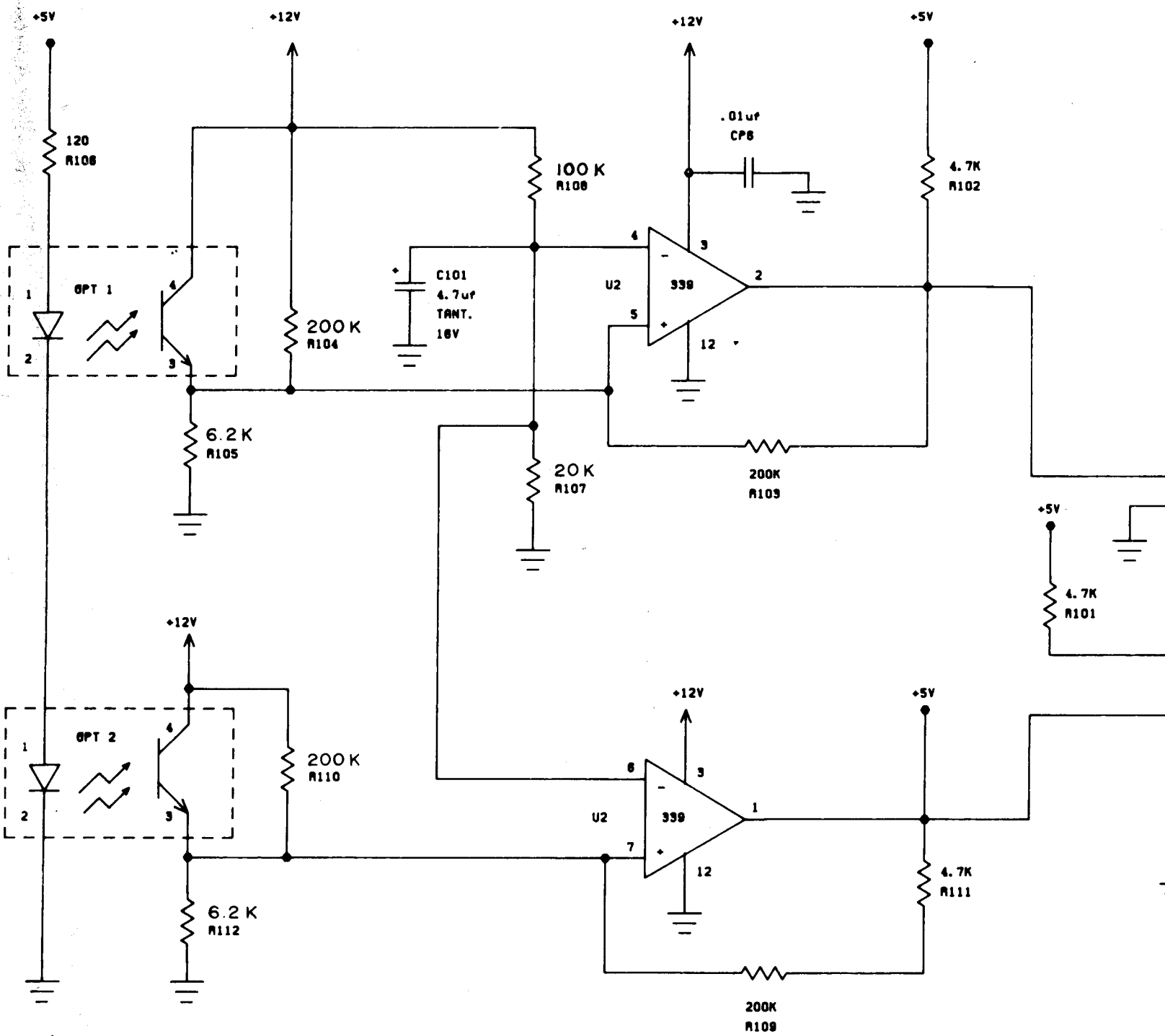
C 101	4.7 μ f TANT 16V RAD.
CP 1	.01 μ f 50V AX. CER.
CP 2	10 μ f 16V AX. ELECT.
CP 3	.01 μ f 50V AX. CER.
CP 4	.01 μ f 50V AX. CER.
CP 5	10 μ f 16V AX. ELECT.
CP 6	.01 μ f 50V AX. CER.
R 101	4.7K 1/4W 5%
R 102	4.7K 1/4W 5%
R 103	200K 1/4W 5%
R 104	200K 1/4W 5%
R 105	6.2K 1/4W 5%
R 106	120 ohm 1/4W 5%
R 107	20K 1/4W 5%
R 108	100K 1/4W 5%
R 109	200K 1/4W 5%
R 110	200K 1/4W 5%
R 111	4.7K 1/4W 5%
R 112	6.2K 1/4W 5%
OPT 1	OPB4453
U 1	74LS49I
U 2	LM 339
J 1	10 PIN KK-156 TYP. STRT. CONN. 2 PIN KK-156 TYP. STRT. CONN.
MH OPT 1A	5-40 SCREW
MH OPT 1B	5-40 NUT
MH OPT 2A	5-40 SCREW
MH OPT 2B	5-40 NUT
A080-91418-D000	P.C. BOARD



** NO
OPTIC
MOUN



DESIGNER: JOHN BOYDSTON		USED ON TRON		REVISIONS	
DO NOT SCALE DWG		HEAT TREAT	SCALE	MIDWAY MFG. CO.	
TOLERANCES UNLESS SPECIFIED			NONE	FRANKLIN PK. ILL.	
DRN <i>TBB</i>		MAT'L	NO REQ'D ONE PER	PART NO.	
PRECISION TYP 003		SCHEMATIC DRAWING		M051-00114 - D007	
SCALE 1/64		OPTICAL ENCODER			
DATE 6/22/82		A082-91418-D000			



PROJ. ENG: JOHN BOYD

DO NOT SCALE DWG	
DIM TOLERANCES UNLESS SPECIFIED	DRN TBB
CONCENTRICITY T I R .003	CKD
FRACTIONAL 1/64	DATE 6/22
DECIMAL .005	
HOLE DIA +.002 .000	

SS REFERENCE LIST

RT NOS.	DESCRIPTION	QTY.	DESIGNATION	PART NOS.
6-00800-0300	4053	1	F1	0986-00803-2000
6-00800-3000	CMOS RAM	1	B2	0986-00803-8100
6-00800-2200	6116	1	F6	0986-00803-1008
	93419	1	F10	0986-00803-9600
	H-T GEN.	1	A12	0986-00803-8900
6-00800-0100	V-T GEN.	1	G12	0986-00803-9000
6-00800-0200	V & H GEN.	1	B12	0986-00803-9100
6-00800-3400	MISC. CUSTOM	1	G11	0986-00803-9200
	NVR CONTROLLER	1	E3	0986-00804-3200
6-00800-3300	EPROM	1	D2	
	EPROM	1	D3	
	EPROM	1	D4	
62-051B3-1XXX	EPROM	1	D5	0628-00803-0100
	EPROM	1	D6	
	EPROM	1	D7	
	EPROM	1	G3	
	EPROM	1	G4	
	*SEE NOTE	5	L101-L105	
	10UH WW	5	L106-L110	0986-00804-0200
	10UH MOLDED	6	L111-L116	0986-00804-3300
	8 PIN IC SOCKET	2	ICSA12, ICSG12	0986-00804-3600
	16 PIN " "	2	ICSA12A, ICSG12A	0986-00804-3700
	20 PIN " "	3	ICSB12, ICSE3, ICSG11	0986-00804-3800
	24 PIN " "	2	ICSB2, ICSF6	0986-00804-3400
	28 PIN " "	10	ICSB3, ICSD2, ICSD3, ICSD4, ICSD5, ICSD6, ICSD7, ICSF10, ICSG3, ICSG4,	0986-00804-3900
6-00804-2400			ICSB5	0986-00804-3500
6-00804-4000				
6-00801-0300	40PIN " "	1	J2A	0986-00804-4200
6-00801-0100			J2	0986-00804-4300
6-00802-0200	KK100 RT. ANGLE 2 PIN CONN.	1	J1A	0986-00804-4400
6-00802-0100	KK156 RT. ANGLE 5 PIN CONN.	1	J1	0986-00804-4500
6-00802-0300	KK156 RT. ANGLE 14 PIN CONN.	1	J3, J4, J5, J6, J7	0986-00804-4700
6-00802-0300	KK100 RT. ANGLE 24 PIN CONN.	5		
6-00803-0400				
6-00803-1007	ZERO OHM RESISTORS	19	JW1-JW19	0986-00804-4000
6-00803-1006				
6-00803-1004	SWITCH P.C. MOUNTING	1	SW1	0986-00804-3100
6-00803-9500				
6-00803-0600	19.968MHZ CRYSTAL	1	XTAL	0986-00804-4900
6-00803-1500				
6-00803-1005	BUS BAR	2	B81, B82	0986-00804-4100
6-00803-9900				
6-00803-1002	FLEX-PAC	5	J3, J4, J5, J6, J7	0986-00804-4800
6-00803-1900				
6-00803-1000				
6-00803-9700				
6-00803-1003				
6-00803-9800				
6-00803-0800				
6-00803-0900				
6-00803-1001				
6-00803-2200				
6-00803-7800				
6-00803-7700				
6-00803-8700				

ROM/EPROM
OPTIONS KIT

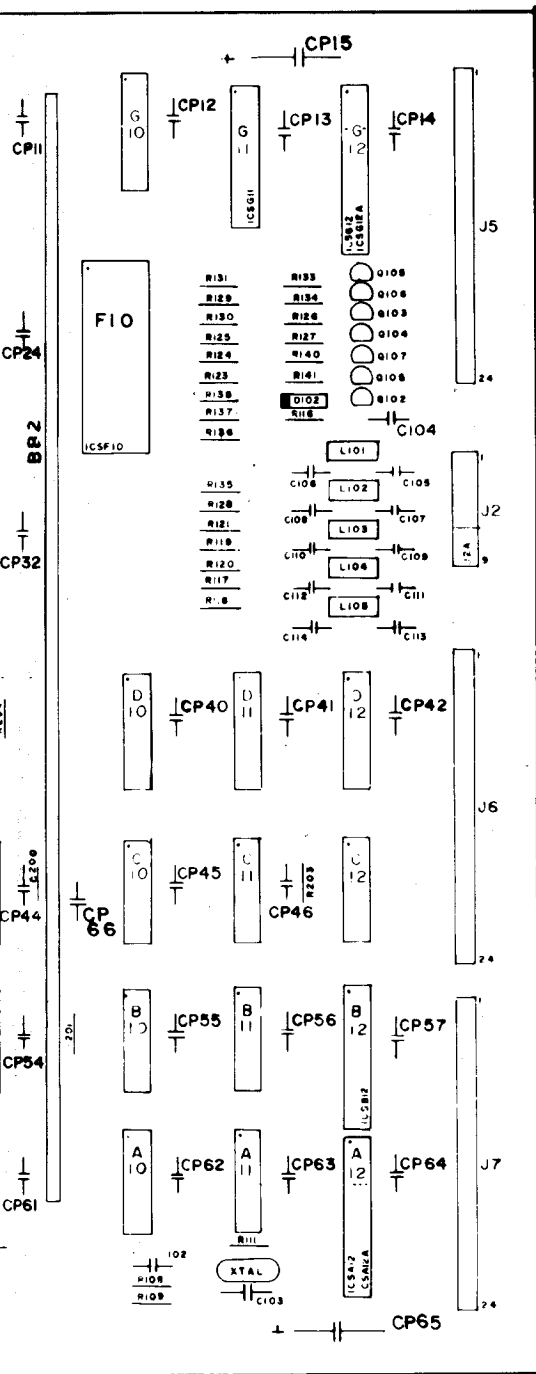
REVISIONS

PROJECT ENG: A. GHOSH.

USED ON TRON
FULL NO. REQ. 1 PER.

MIDWAY MFG. CO.
FRANKLIN, ILL.

DO NOT SCALE DIMS	DATE 06/22/82	SUPER CPU BOARD ASSEMBLY DRWG. A082-90010-C000		PART NO. MO51-00628-A007
-------------------	---------------	-------------------------------------------------------	--	--------------------------



DESCRIPTION	QTY.	DESIGNATION	PART NOS.
33PF 50V AX. CER.	1	C101	0986-00800
390PF 50V AX. CER.	2	C104, C200	0986-00800
0.01UF 50V AX. CER.	78	CP2-CP7, CP9-CP14, CP16-CP20, CP22-CP28, CP30-CP37, CP39-CP50, CP52-CP57, CP59-CP64, C115-C136	0986-00800
0.1MF 100V MYLAR	1	C103	0986-00800
0.1MF 50V AX. CER.	2	C102-CP66	0986-00800
10MF 25V AX. TANT	5	CP8, CP21, CP29, CP38 CP51	0986-00800
470UF 16V AX. ELECT.	4	CP1, CP15, CP58, CP65	0986-00800
*C105-C114	SEE NOTE		
10 OHM 1/4W CRBN.	6	R126, R127, R133, R134, R140, R141	0062-05183-
22 OHM "	1	R108	0062-06383
100 OHM "	1	R119	0062-11083-
220 OHM "	1	R105	0062-13383
330 OHM "	2	R108, R111	0062-14483
470 OHM "	3	R121, R128, R135	0062-15683
510 OHM "	3	R123, R130, R136	0062-15983
560 OHM "	2	R117, R118	0062-16283
820 OHM "	1	R120	0062-17483
1K OHM "	13	R102, R107, R109, R116, R124, R129, R137, R201, R203-R207	0062-17983
1.2K OHM "	1	R104	0062-18383-
2K OHM "	3	R125, R131, R138	0062-19383-
4.7K OHM "	4	R101, R112, R208, R209	0062-21183-
4.7K 6PIN S.I.P.	2	RM1, RM4	0986-00804
4.7K 10PIN S.I.P.	2	RM2, RM3	0986-00804
1N5817	1	D101	0986-00801
4148	1	D102	0986-00801
2N4403	1	Q101	0986-00802
2N4123	1	Q102	0986-00802
MPSA70	6	Q103-Q108	0986-00802
74S04	3	A11, B9, C10	0986-00803
74LS04	2	D8, E9	0986-00803
74LS08	1	C8	0986-00803
74LS20	2	C11, C12	0986-00803
74LS27	1	E8	0986-00803
74LS32	4	B8, B11, E4, E5	0986-00803
74S74	2	A9, A10	0986-00803
74LS74	2	B10, C9	0986-00803
74LS86	2	E7, G7	0986-00803
74LS133	1	B7	0986-00803
74LS138	1	E6	0986-00803
74LS153	2	G1, G6	0986-00803
74LS157	7	D10, D11, D12, F8, F9, G9, G10	0986-00803
74LS161	1	A1	0986-00803
74LS174	2	F7, G8	0986-00803
74LS244	2	B1, B6	0986-00803
74LS245	2	A3, F3	0986-00803
74LS273	4	F4, F5, G2, G5	0986-00803
74LS367	1	A2	0986-00803
MK3380	1	B5	0986-00803
MK3382	1	B3	0986-00803
4017	1	F2	0986-00803

DESCRIPTION

SEE NOTE

10UH WW
10UH MOLDED

8PIN IC SOCKET
16PIN "
24PIN "
28PIN "
40PIN "
20PIN "
28PIN "

20PIN "
24PIN "
28PIN "
28PIN "
20PIN "
8PIN "
16PIN "

KK156 RT. ANGLE 5PIN
KK156 " " 14PIN
KK100 RT. ANGLE 2PIN
KK100 " " 6PIN
KK100 " " 24PIN

ZERO OHM RESISTORS

SWITCH P.C MOUNTING

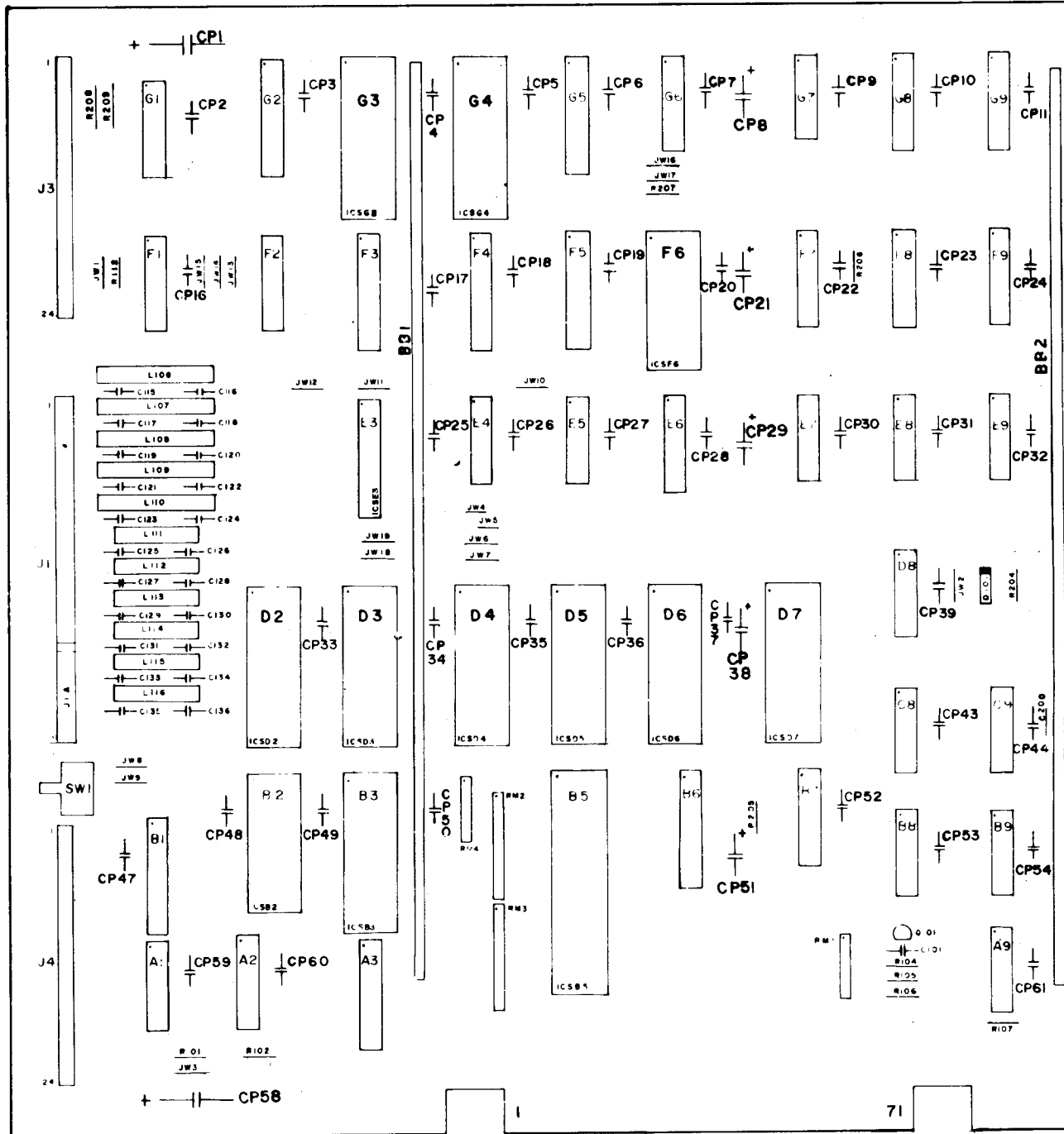
19,968 MHZ CRYSTAL

BUS BAR

FLEX-PAC JUMPER

SUPER CPU BOARD

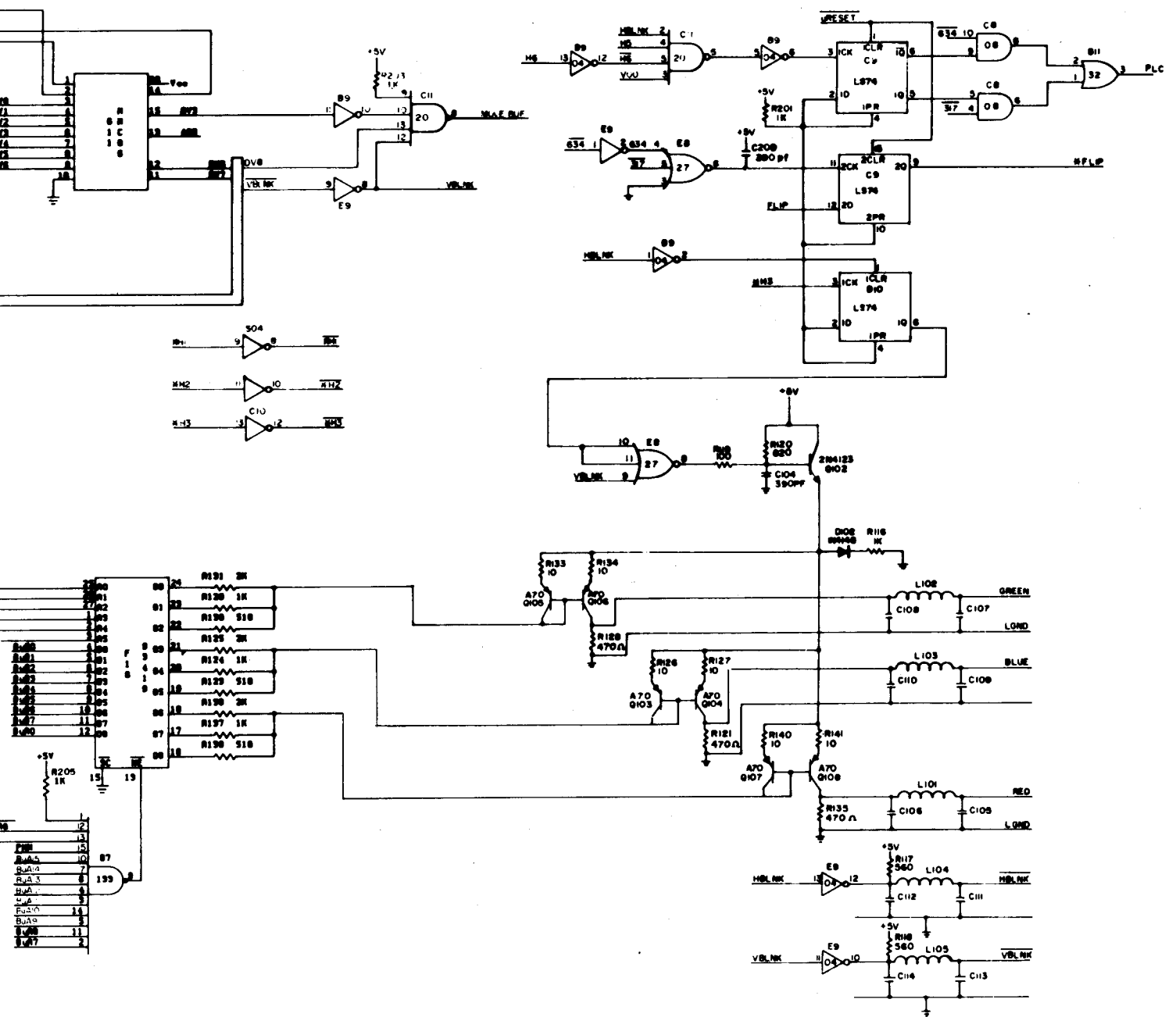
ME WITH JUMPER
AND CAPACITORS
OR RADIATION
ONLY. F.C.C.
ENDING. ENGINEERING
MEN STUFFING OF
CAPACITORS BEGINS.



DESIGNATION LIST

<u>DESIGNATION</u>	<u>DESCRIPTION</u>	<u>DESIGNATION</u>	<u>DESCRIPTION</u>	<u>DESIGNATION</u>	<u>DESCRIPTION</u>
C101	33PF AX. CER.	D101	IN5817	* L101-L105	SEE M
C102	0.1UF AX. CER.	D102	4148	L106-L110	10UH
C103	0.1UF MYLAR			L111-L118	10UH
C104	390PF AX. CER.	Q101	2N4403		8PIN
C105-C114	SEE NOTE	Q102	2N4123	ICSA12	16PIN
C115-C136	0.01UF AX. CER.	Q103-Q108	MPSA70	ICSA12A	24PIN
C200	390 PF AX. CER.			ICSB2	28PIN
				ICSB3	40PIN
CPI	470UF 16V ELECT. AX.			ICSB5	20PIN
CP2-CP7	0.01UF 50V AX. CER.	A1	74LS161	ICSB12	28PIN
CP8	10UF 25V AX. TANT.	A2	74LS367	ICSD2,D3,D4,	
CP9-CP14	0.01UF 50V AX. CER.	A3	74LS245	D5,D6,D7	
CP15	470UF 16V ELECT. AX.	A9, A10	74S74	ICSE3	20PIN
CP16-CP20	0.01UF 50V AX. CER.	A11	74S04	ICSF6	24PIN
CP21	10UF	A12	H-T	ICSF10	28PIN
CP22-CP28	0.01UF	B1	74LS244		28PIN
CP29	10UF	B2	CMOS RAM	ICSG3,G4	28PIN
CP30-CP37	0.01UF	B3	MK3882	ICSG11	20PIN
CP38	10UF	B5	MK3880	ICSG12	8PIN
CP39-CP50	0.01UF	B6	74LS244	ICSG12A	16PIN
CP51	10UF	B7	74LS133		
CP52-CP57	0.01UF	B8	74LS32	J1A	KK15
CP58	470UF 16V ELECT. AX.	B9	74S04	J1	KK15
CP59-CP64	0.01UF	B10	74LS74	J2A	KK10
CP65	470UF	B11	74LS32	J2	KK10
CP66	0.1UF 50V AX. CER.	B12	V & H-T	J3,J4,J5,J6,J7	KK10
		C8	74LS08		
R101	4.7K OHM 1/4W CRBN.	C9	74LS74	JW1-JW19	ZERO
R102	1K OHM " "	C10	74S04		
R104	1.2K OHM " "	C11,C12	74LS20	SW1	SWIT
R105	220 OHM " "	D2	EPROM		
R106	22 OHM " "	D3	EPROM	XTAL	19,9
R107	1K OHM " "	D4	EPROM		
R108	330 OHM " "	D5	EPROM		
R109	1K OHM " "	D6	EPROM	BB1, BB2	BUS
R111	330 OHM " "	D7	EPROM		
R112	4.7K OHM " "	D8	74LS04	J3,J4,J5,J6,J7	FLE
R116	1K OHM " "	D10-D12	74LS157		
R117, R118	560 OHM " "	E3	NVR CONTROLLER		
R119	100 OHM " "	E4,E5	74LS32	A080-90010-C000	SUPE
R120	820 OHM " "	E6	74LS138		
R121	470 OHM " "	E7	74LS86		
R123	510 OHM " "	E8	74LS27		
R124	1K OHM " "	E9	74LS04		
R125	2K OHM " "	F1	4053		
R126-R127	10 OHM " "	F2	4017		
R128	470 OHM " "	F3	74LS245		
R129	1K OHM " "	F4-F5	74LS273		
R130	510 OHM " "	F6	6116		
R131	2K OHM " "	F7	74LS174		
R133-R134	10 OHM " "	F8, F9	74LS157		
R135	470 OHM " "	F10	93419		
R136	510 OHM " "	G1	74LS153		
R137	1K OHM " "	G2	74LS273		
R138	2K OHM " "	G3	EPROM		
R140-R141	10 OHM " "	G4	EPROM		
R201	1K OHM " "	G5	74LS273		
		G6	74LS153		
R203-R207	1K OHM " "	G7	74LS86		
R208, R209	4.7K OHM " "	G8	74LS174		
		G9, G10	74LS157		
RM1	4.7K 6 PIN S.I.P.	G11	CUSTOM IC		
RM2-RM3	4.7K 10 PIN S.I.P.	G12	V-T GEN.		
RM4	4.7K 6 PIN S.I.P.				

* NOTE: ALL BOARDS COME WITH WIRES. CHOKES AND CAPACITORS ARE NEEDED FOR REGULATION SUPPRESSION ONLY. WE WILL NOTIFY WHEN CHOKES AND CAPACITORS ARE NEEDED.



PROJECT ENG. A. GHOSH

DATE: 06/22/82

06/22/82

DESIGNED ON TRON

NO. REV. | PER.

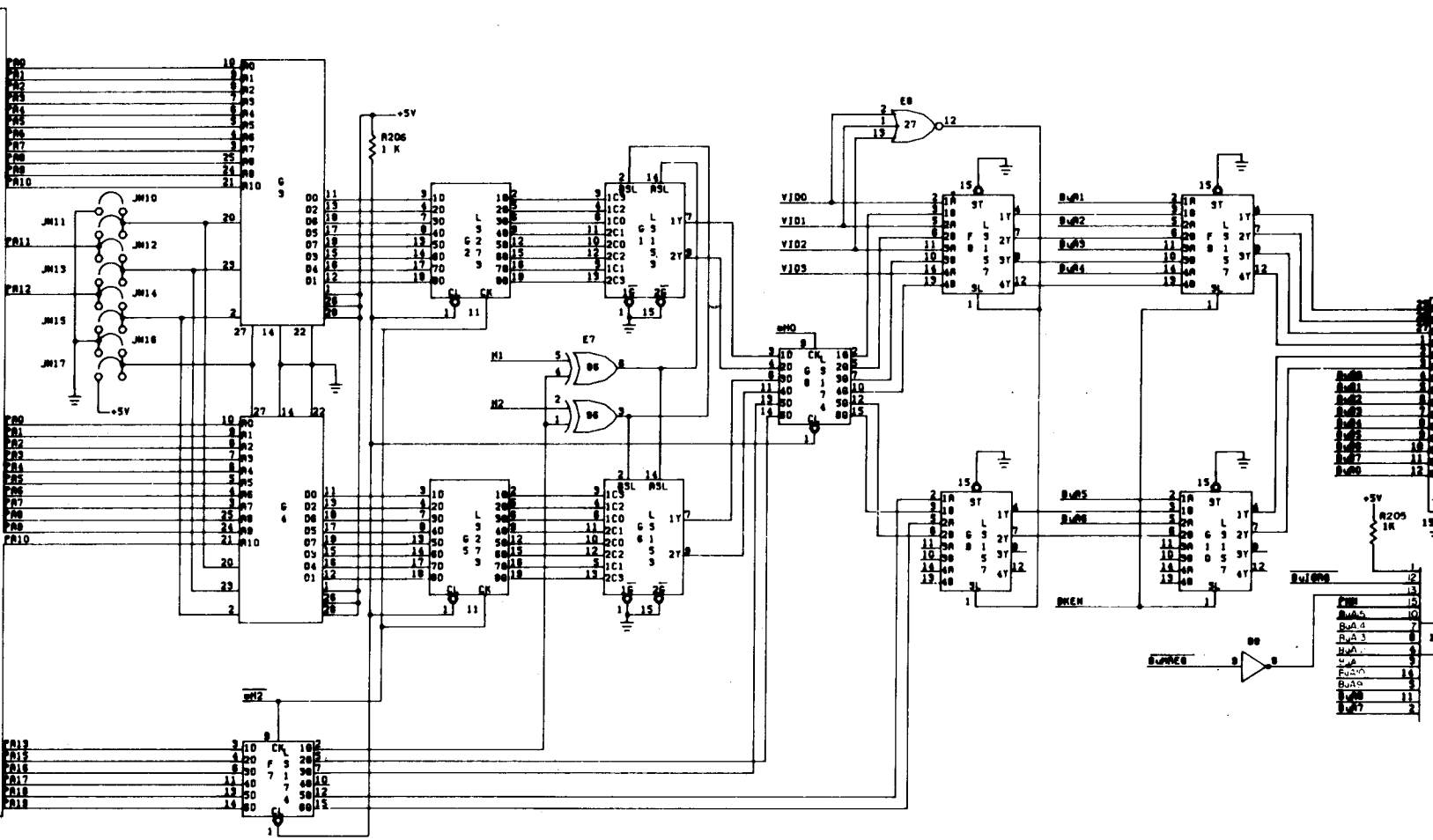
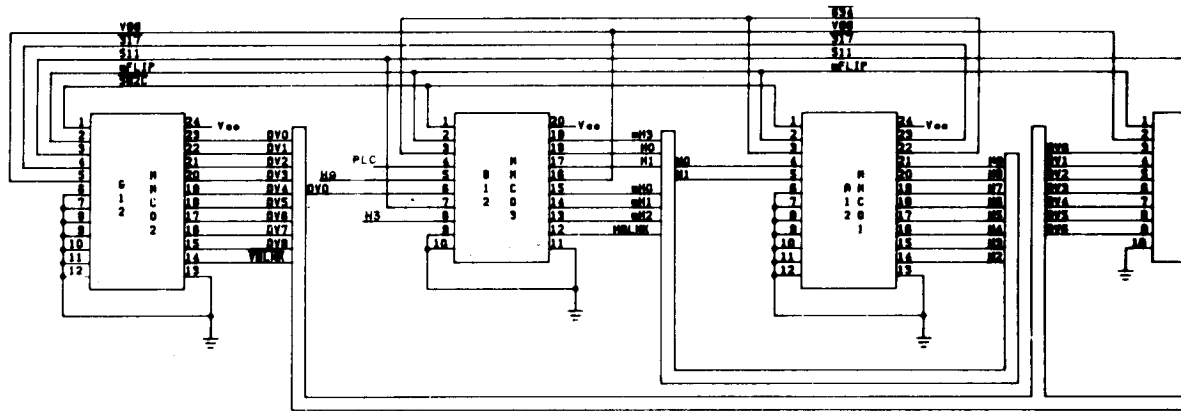
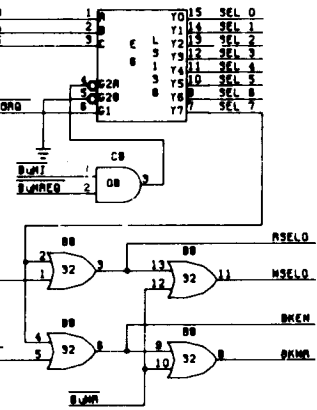
FULL

SUPER CPU SCHEMATIC DRAWING
A082-90010-C000

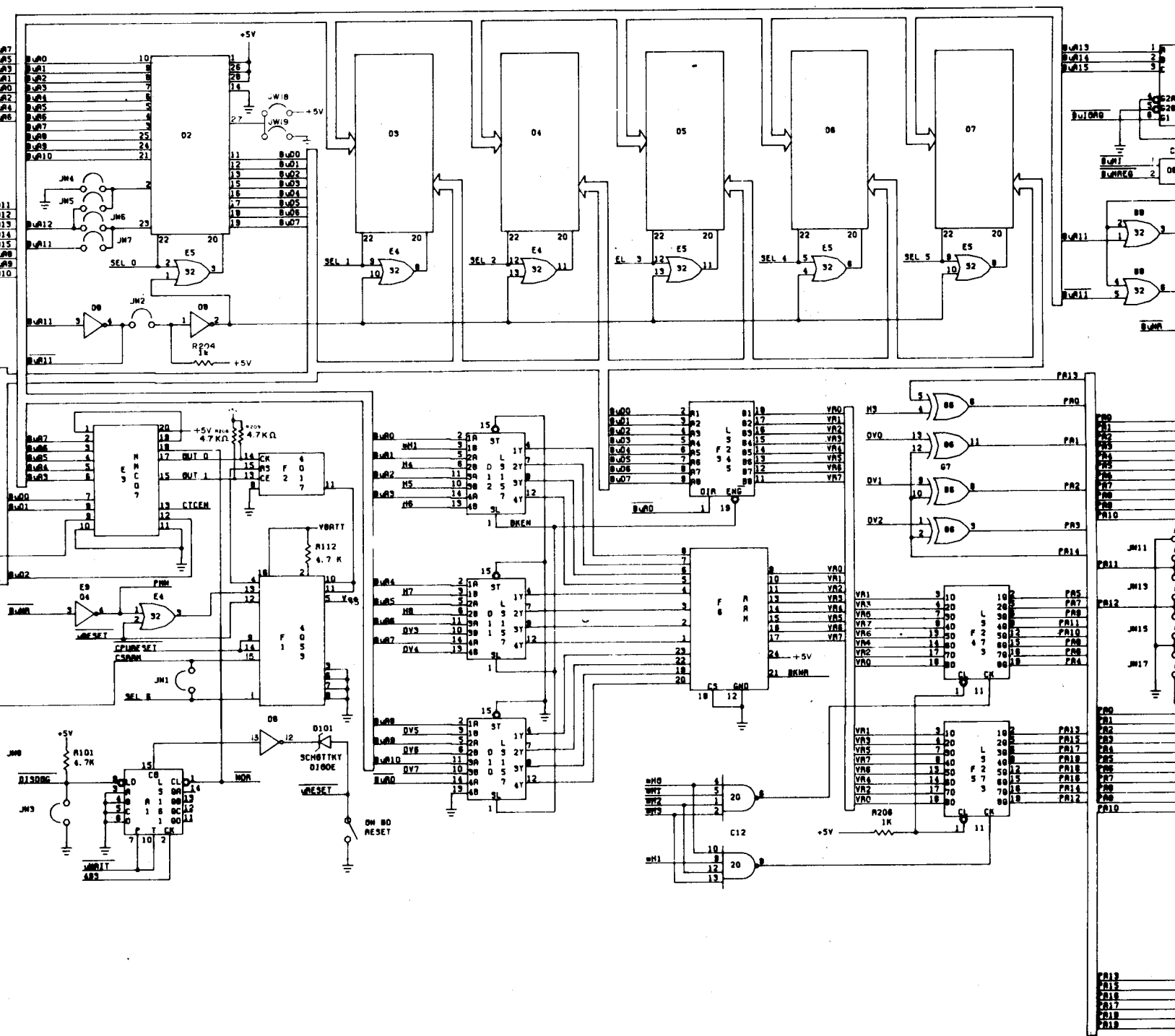
MIDWAY MFG. CO.

FRANKLIN, PA. U.S.A.

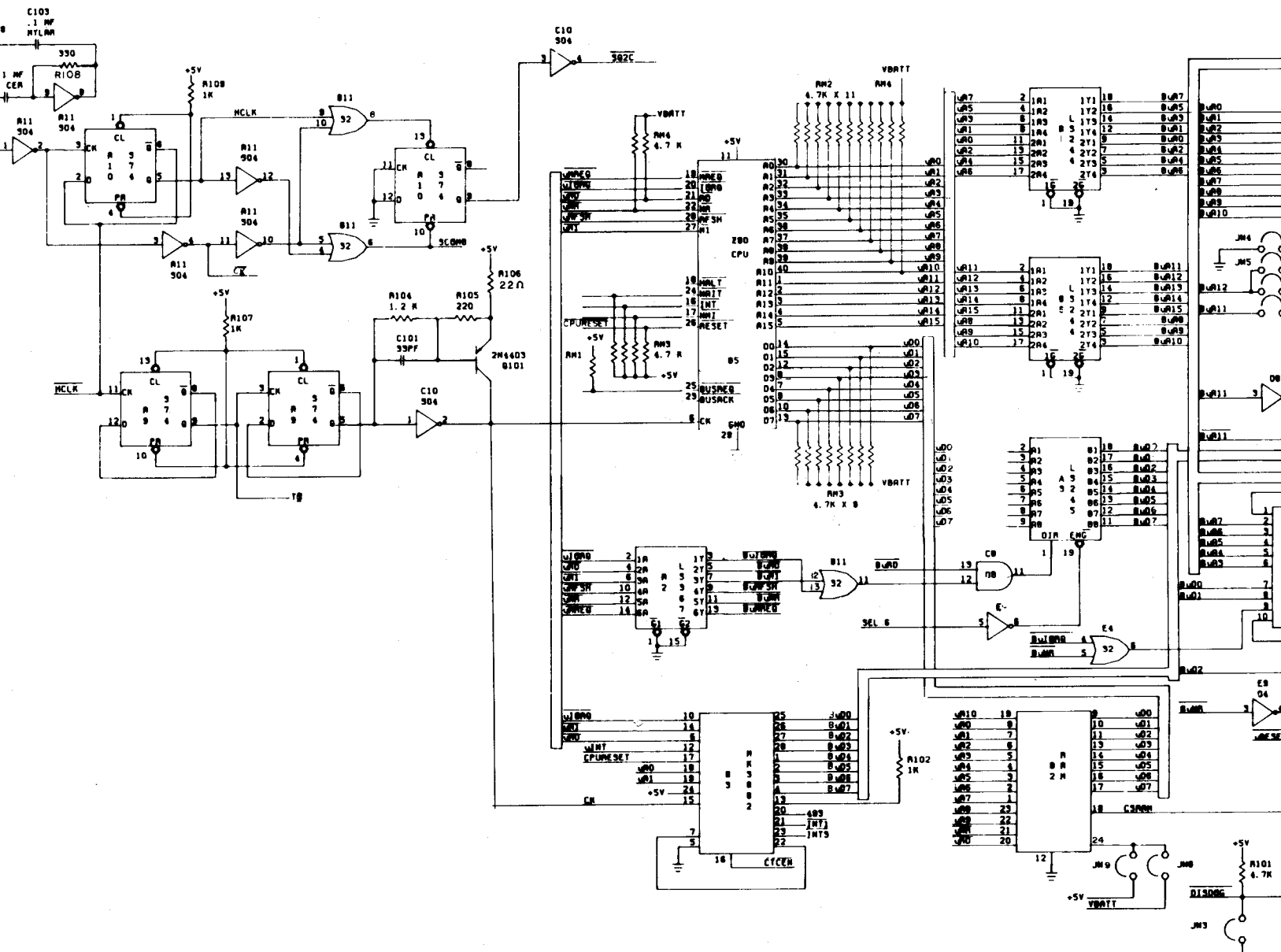
M051-00628-A008



R205	1K
R206	1K
R207	1K
R208	1K
R209	1K
R210	1K
R211	1K
R212	1K
R213	1K
R214	1K
R215	1K
R216	1K
R217	1K
R218	1K
R219	1K
R220	1K
R221	1K
R222	1K
R223	1K
R224	1K
R225	1K
R226	1K
R227	1K
R228	1K
R229	1K
R230	1K
R231	1K
R232	1K
R233	1K
R234	1K
R235	1K
R236	1K
R237	1K
R238	1K
R239	1K
R240	1K
R241	1K
R242	1K
R243	1K
R244	1K
R245	1K
R246	1K
R247	1K
R248	1K
R249	1K
R250	1K
R251	1K
R252	1K
R253	1K
R254	1K
R255	1K
R256	1K
R257	1K
R258	1K
R259	1K
R260	1K
R261	1K
R262	1K
R263	1K
R264	1K
R265	1K
R266	1K
R267	1K
R268	1K
R269	1K
R270	1K
R271	1K
R272	1K
R273	1K
R274	1K
R275	1K
R276	1K
R277	1K
R278	1K
R279	1K
R280	1K
R281	1K
R282	1K
R283	1K
R284	1K
R285	1K
R286	1K
R287	1K
R288	1K
R289	1K
R290	1K
R291	1K
R292	1K
R293	1K
R294	1K
R295	1K
R296	1K
R297	1K
R298	1K
R299	1K
R300	1K

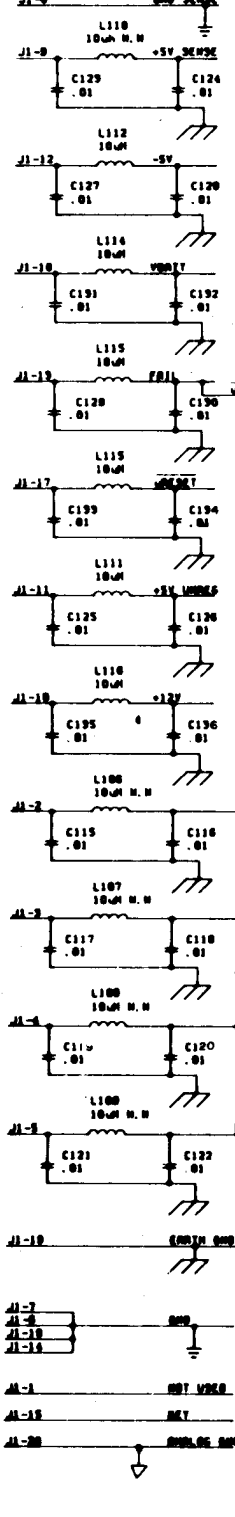


ANALOG
 EARTH
 LOGIC
 UN- NOT USED



72 PIN	TEST	CONNECTION	J2	J4	J5	J6	J7	J2		
L GND	25	u00	48	u01	1	L GND	1	u02	1	RED
+5V	26	u01	50	u02	2	L GND	2	L GND	2	L GND
L GND	27	u02	51	u03	3	L GND	3	L GND	3	GREEN
+5V	28	u03	52	u04	4	+5V	4	u05	4	L GND
+12V	29	u04	53	u05	5	+5V	5	u06	5	BLUE
H.U	30	u05	54	u06	6	+5V	6	u07	6	L GND
+12V	31	u06	55	u07	7	H.U	7	u08	7	KEY
VDD11	32	u07	56	u08	8	H.U	8	u09	8	INDIC
u08	33	u08	57	u09	9	H.U	9	u10	9	VOLTR
u01	34	u09	58	u10	10	u00	10	u11	10	H7
u02	35	u10	59	u11	11	u01	11	u12	11	H8
u03	36	u11	60	u12	12	u02	12	+5V SENSE	12	L GND
u04	37	u12	61	u13	13	u03	13	H.U	13	VIO 0
u05	38	u13	62	u14	14	u04	14	HAVE BUF	14	VIO 1
u06	39	u14	63	u15	15	u05	15	u04	15	VIO 2
u07	40	u15	64	u16	16	u06	16	u05	16	VIO 3
VIO 0	41	u16	65	u17	17	u07	17	u06	17	NSEL 0
VIO 1	42	u17	66	u18	18	H.U	18	H.U	18	L GND
VIO 2	43	u18	67	u19	19	FLIP	19	+5V	19	+5V
VIO 3	44	u19	68	u20	20	u08	20	+5V	20	+5V
HAVE BUF	45	u20	69	u21	21	H.U	21	+5V	21	+5V
INT 1	46	u21	70	u22	22	H.U	22	L GND	22	L GND
INT 3	47	u22	71	u23	23	H.U	23	L GND	23	L GND
	48	u23	72	u24	24	H.U	24	L GND	24	L GND

NOTES
 R= RESISTOR
 C= CAPACITOR
 L= LOGIC
 H.U= NOT USED

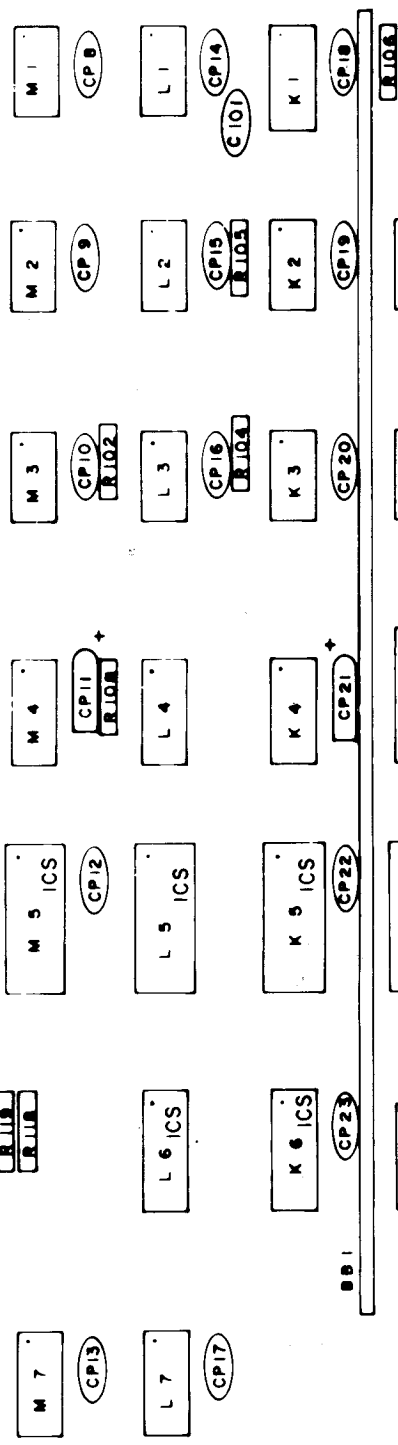


CROSS REFERENCE LIST

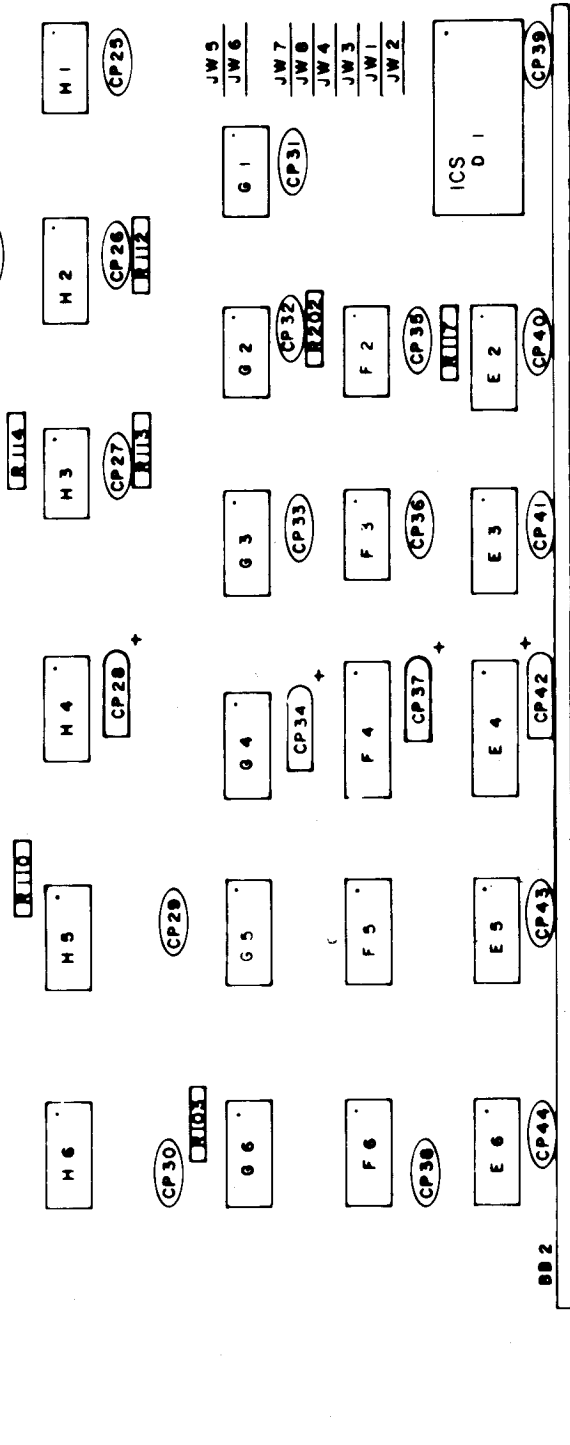
Q'TY	DESCRIPTION	DESIGNATION	PART NO.
1	100 Pf 50V AX. CER.	C101	0986-00800-1000
60	.01 μ f 50V AX. CER.	CP1-3, CP5-10, CP12-20, CP22-27, CP29-33, CP35, 36, CP38-41, CP43-47, CP49-54, CP56-61, CP63-67, CP69-71.	0986-00800-2500
11	10 μ f 25 V AX. TANT.	CP4, 11, 21, 28, 34, 37, CP42, 48, 55, 62, 68.	0986-00800-2400
2	100 μ f 25V AX. ELECT.	C1, 2.	0986-00800-1800
21	1 K 1/4 W CRBN. FLM.	R101-119, 201, 202.	0062-17983-1XXX
2	1 K 8 PIN SIP	RM1, 2.	0986-00804-1100
1	1 K 10 PIN SIP	RM3	0986-00804-1000
2	2114-2	K6, L6.	0986-00803-2300
1	7400	F2	0986-00803-2800
1	7404	N6	0986-00803-8300
1	74S04	F3	0986-00803-3100
1	7408	L2	0986-00803-3200
2	74LS20	G2, L1	0986-00803-3400
1	7427	N2	0986-00803-3500
4	7430	J3, K2, M1, N1	0986-00803-3600
1	74LS30	J2	0986-00803-4300
1	7432	M2	0986-00803-4400
4	74LS32	B4,7, C4,7,	0986-00803-3700
2	7474	K3, L3	0986-00803-4500
2	74S74	H3, M3	0986-00803-4100
2	74LS86	G1, H1	0986-00803-4200
18	74LS157	A2,3,4,5,6,7, D5,6, E5,6, F5,6, G6, H6, J6, L7, M7, N7.	0986-00803-2400
3	74161	K1, K4, M4.	0986-00803-2500
2	74174	H2, C	0986-00803-2600
1	74175	H4	0986-00803-2700
8	74LS194	B2,3, C2,3, D2,3, E2,3.	0986-00803-2900
1	74LS245	N5	0986-00803-3000
4	74LS273	D4,7, J4, N3	0986-00803-3800
5	74LS283	G3,4,5 L4, N4,	0986-00803-3900
2	74LS374	E4, F4	0986-00803-4000
8	93422	B5,6, C5,6, J5, K5, L5, M5	0986-00804-0800
1	EPROM	A1 (VGA)	} ROM/EPROM OPTIONS KIT 0628-00803-3026
1	EPROM	B1 (VGB)	
1	EPROM	C1 (VGC)	
1	EPROM	D1 (VGD)	
8	JUMPER WIRE	JW1-8	0986-00805-0200
2	BUSS BAR	BB1, 2	0986-00804-0900
1	P.C. BOARD		A080-91399-E000
3	24 PIN SOCKET	J3,4,5	0986-00804-4700
4	28 PIN SOCKET	ICSA1, B1, C1, D1	0986-00804-0300
8	22 PIN SOCKET	ICS B5,6, C5,6, J5, K5, L5, M5	0986-00804-0700
2	18 PIN SOCKET	ICS K6, L6	0986-00804-0600

PROJ. ENG. ATISH GHOSH

DO NOT SCALE DWG		DATE/TIME	SCALE	USED ON TRON	REVISIONS	MIDWAY MFG. CO. FRANKLIN PK ILL
DIM TOLERANCES UNLESS SPECIFIED		MATERIAL	NO REQD 1 PER	PART NO		
DWG NO. <i>508</i> DESIGNED BY <i>AJ</i> DATE <i>6/1/82</i>		FINISH	ASS'Y DRAWING VIDEO GENERATOR P.C A082-91399-G000		M051-00628-A006	



BB 1



BB 2

DESIGNATION DESCRIPTION

IC L 1 74 LS 20
 IC L 2 7408
 IC L 3 7474
 IC L 4 74 LS 283
 IC L 5 422
 IC L 6 2114-2
 IC L 7 74 LS 157

IC M 1 7430
 IC M 2 7432
 IC M 3 74 S 74
 IC M 4 74161
 IC M 5 422
 IC M 7 74 LS 157

IC N 1 7430
 IC N 2 7427
 IC N 3 74 LS 273
 IC N 4 74 LS 283
 IC N 5 74 LS 245
 IC N 6 7404
 IC N 7 74 LS 157

ICS A1,B1,C1,D1. 28PIN IC SOCKET

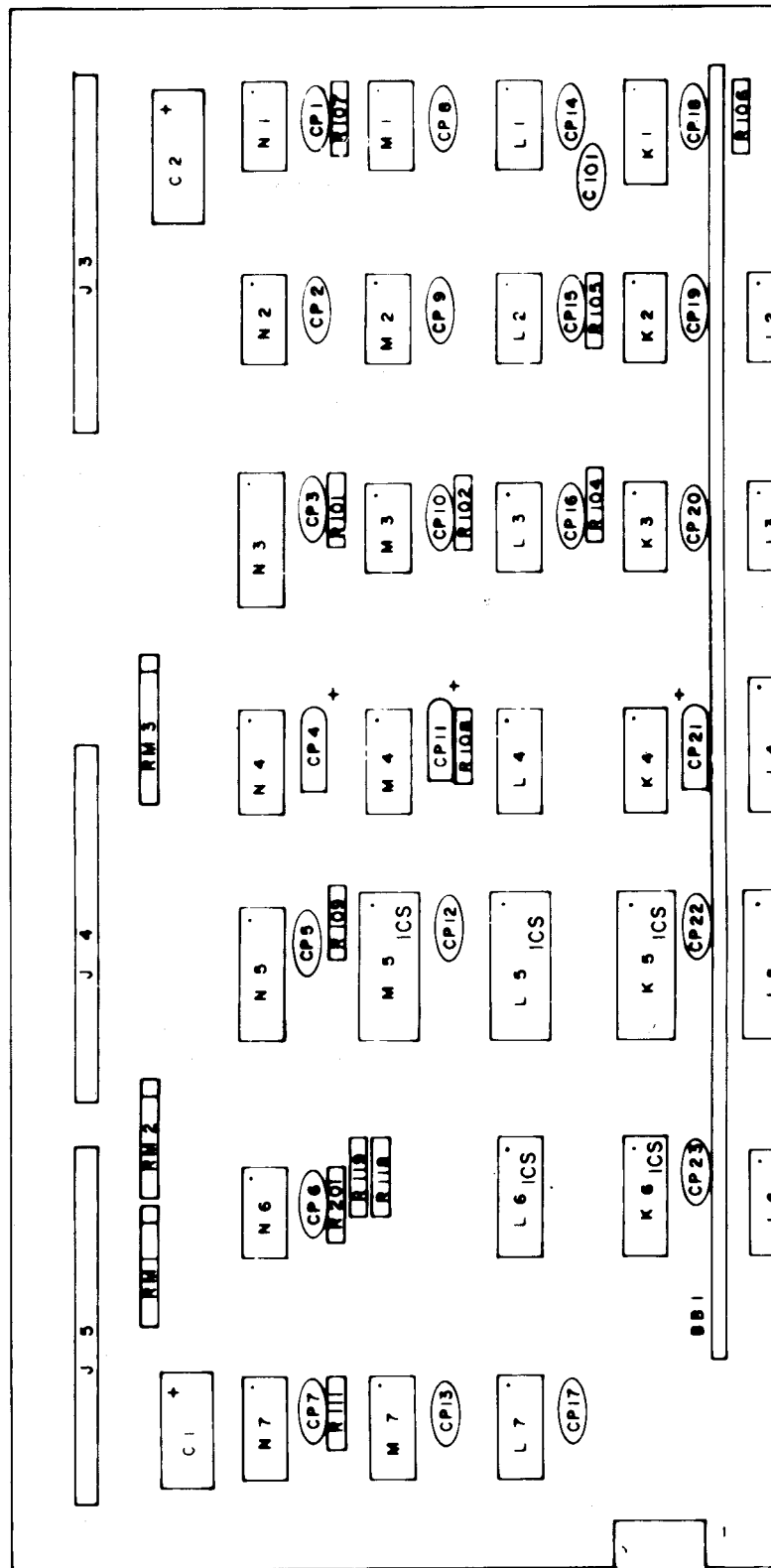
ICS B5,6,C5,6, 22PIN IC SOCKET
 J5,K5,L5,M5.

ICS K6,L6. 18PIN IC SOCKET

J3,4,5 24 PIN SOCKET

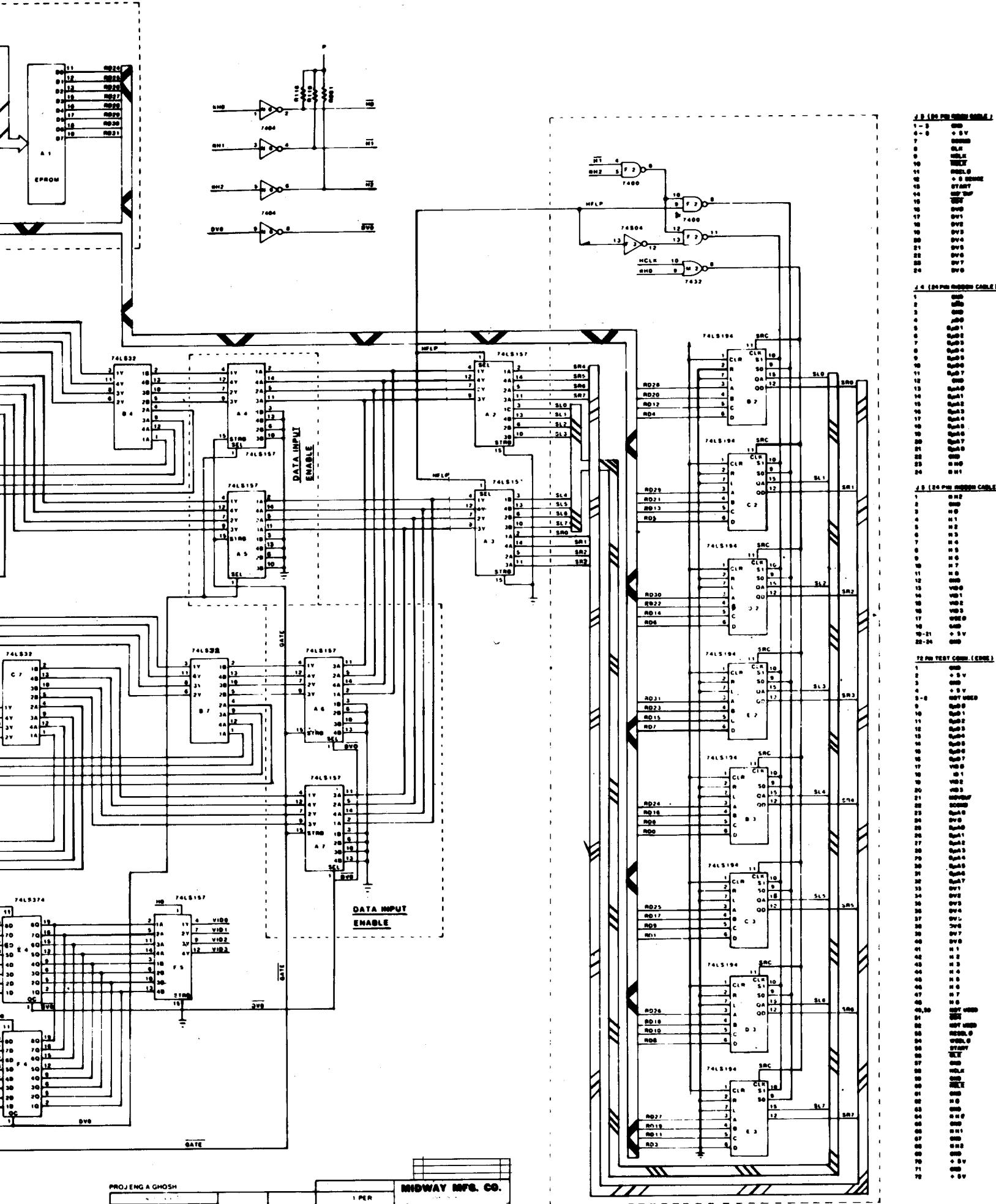
JWI-8 JUMPER WIRE

BB1, 2 BUSS BAR



DESIGNATION LIST

DESIGNATION	DESCRIPTION	DESIGNATION	DESCRIPTION
CI, 2	100 μ f AX. ELECT	IC D 1	EPROM
C101	100 pf AX. CER.	IC D 2	74 LS194
CP1-3, 5-10		IC D 3	74 LS194
CP12-20, 22-27,		IC D 4	74 LS273
CP29-33, 35, 36,		IC D 5	74 LS157
CP38-41, 43-47, .01 μ f AX. CER.		IC D 6	74 LS157
CP49-54, 56-61,		IC D 7	74 LS273
CP63-67, 69-71.		IC E 2	74 LS194
		IC E 3	74 LS194
		IC E 4	74 LS374
CP4, 11, 21, 28, 34,		IC E 5	74 LS157
CP37, 42, 48, 55, 10 μ f 25V AX. TANT.		IC E 6	74 LS157
CP62, 68.			
		IC F 2	7400
		IC F 3	74 S04
R101-119, 201, 202, 1 K 1/4 W 5%		IC F 4	74 LS374
		IC F 5	74 LS157
		IC F 6	74 LS157
RMI, 2	8 PIN 1 K SIP	IC G 1	74 LS86
RM 3	10 PIN 1 K SIP	IC G 2	74 LS20
		IC G 3	74 LS283
		IC G 4	74 LS283
IC A 1	EPROM	IC G 5	74 LS283
IC A 2	74 LS157	IC G 6	74 LS157
IC A 3	74 LS157		
IC A 4	74 LS157	IC H 1	74 LS86
IC A 5	74 LS157	IC H 2	74174
IC A 6	74 LS157	IC H 3	74 S74
IC A 7	74 LS157	IC H 4	74175
		IC H 5	74174
		IC H 6	74 LS157
IC B 1	EPROM		
IC B 2	74 LS194	IC J 2	74 LS30
IC B 3	74 LS194	IC J 3	7430
IC B 4	74 LS32	IC J 4	74 LS273
IC B 5	422	IC J 5	422
IC B 6	422	IC J 6	74 LS157
IC B 7	74LS32		
IC C 1	EPROM	IC K 1	74161
IC C 2	74 LS194	IC K 2	7430
IC C 3	74 LS194	IC K 3	7474
IC C 4	74 LS32	IC K 4	74161
IC C 5	422	IC K 5	422
IC C 6	422	IC K 6	2114-2
IC C 7	74 LS32		



- J 3 (24 PIN ROM/ROM CABLE)
- 1 - 3 000
 - 4 - 0 +5V
 - 7 00000
 - 8 CLR
 - 9 000
 - 10 000
 - 11 0000
 - 12 00000
 - 13 000
 - 14 000
 - 15 000
 - 16 000
 - 17 000
 - 18 000
 - 19 000
 - 20 000
 - 21 000
 - 22 000
 - 23 000
 - 24 000

- J 4 (24 PIN ROM/ROM CABLE)
- 1 000
 - 2 000
 - 3 000
 - 4 000
 - 5 000
 - 6 000
 - 7 000
 - 8 000
 - 9 000
 - 10 000
 - 11 000
 - 12 000
 - 13 000
 - 14 000
 - 15 000
 - 16 000
 - 17 000
 - 18 000
 - 19 000
 - 20 000
 - 21 000
 - 22 000
 - 23 000
 - 24 000

- J 5 (24 PIN ROM/ROM CABLE)
- 1 000
 - 2 000
 - 3 000
 - 4 000
 - 5 000
 - 6 000
 - 7 000
 - 8 000
 - 9 000
 - 10 000
 - 11 000
 - 12 000
 - 13 000
 - 14 000
 - 15 000
 - 16 000
 - 17 000
 - 18 000
 - 19-21 +5V
 - 22-24 000

- J 6 (24 PIN TEST CABLE) (CONT.)
- 1 000
 - 2 +5V
 - 3 000
 - 4 +5V
 - 5 000
 - 6 000
 - 7 000
 - 8 000
 - 9 000
 - 10 000
 - 11 000
 - 12 000
 - 13 000
 - 14 000
 - 15 000
 - 16 000
 - 17 000
 - 18 000
 - 19 000
 - 20 000
 - 21 000
 - 22 000
 - 23 000
 - 24 000
 - 25 000
 - 26 000
 - 27 000
 - 28 000
 - 29 000
 - 30 000
 - 31 000
 - 32 000
 - 33 000
 - 34 000
 - 35 000
 - 36 000
 - 37 000
 - 38 000
 - 39 000
 - 40 000
 - 41 000
 - 42 000
 - 43 000
 - 44 000
 - 45 000
 - 46 000
 - 47 000
 - 48 000
 - 49 000
 - 50 000
 - 51 000
 - 52 000
 - 53 000
 - 54 000
 - 55 000
 - 56 000
 - 57 000
 - 58 000
 - 59 000
 - 60 000
 - 61 000
 - 62 000
 - 63 000
 - 64 000
 - 65 000
 - 66 000
 - 67 000
 - 68 000
 - 69 000
 - 70 +5V
 - 71 +5V
 - 72 000

PROJ ENG A GHOSH

1 PER

MIDWAY MFG. CO.

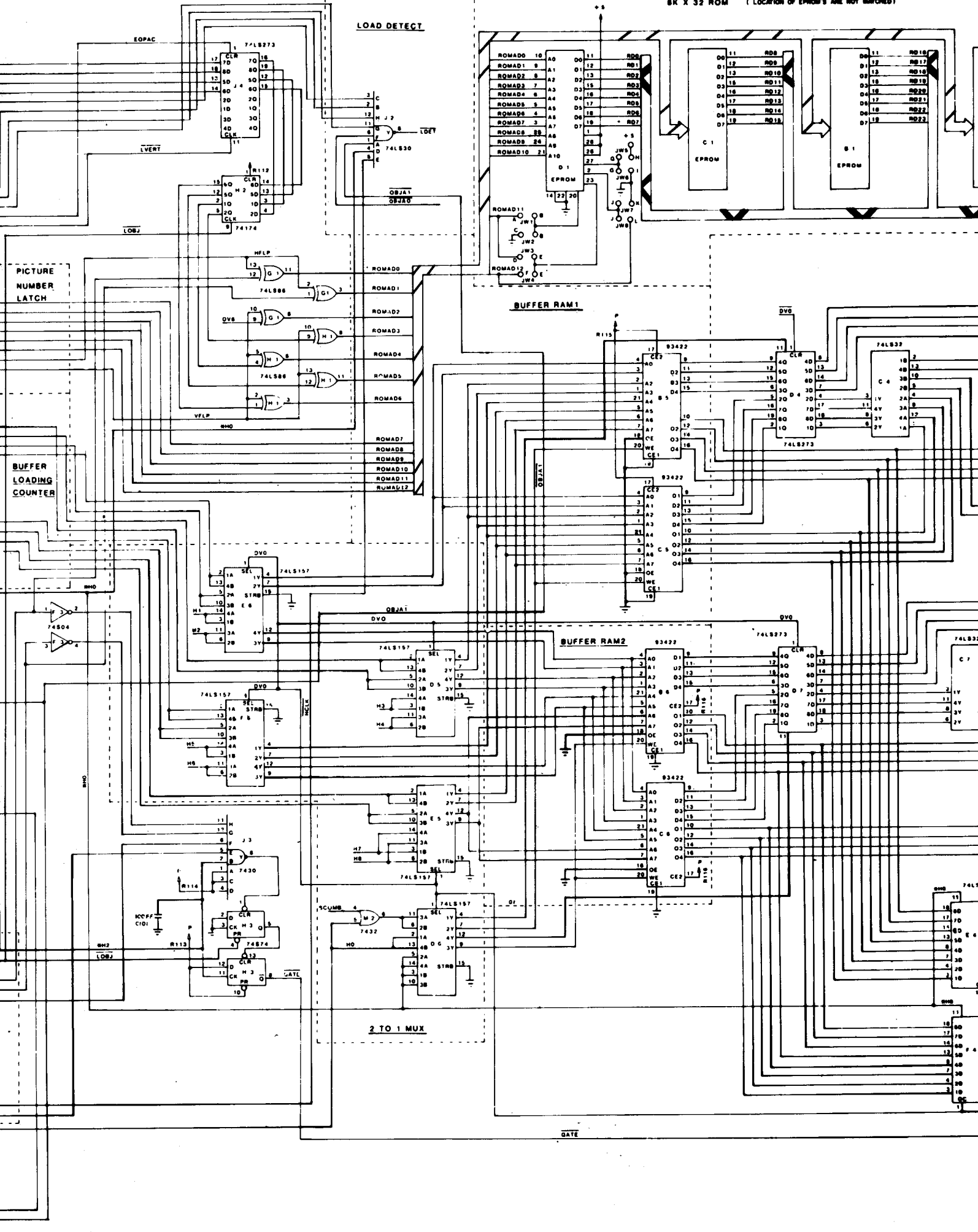
7/26/82

SCHEMATIC VIDEO GEN.

A082-91399-6000

MOSI-00628-A005

LOAD DETECT

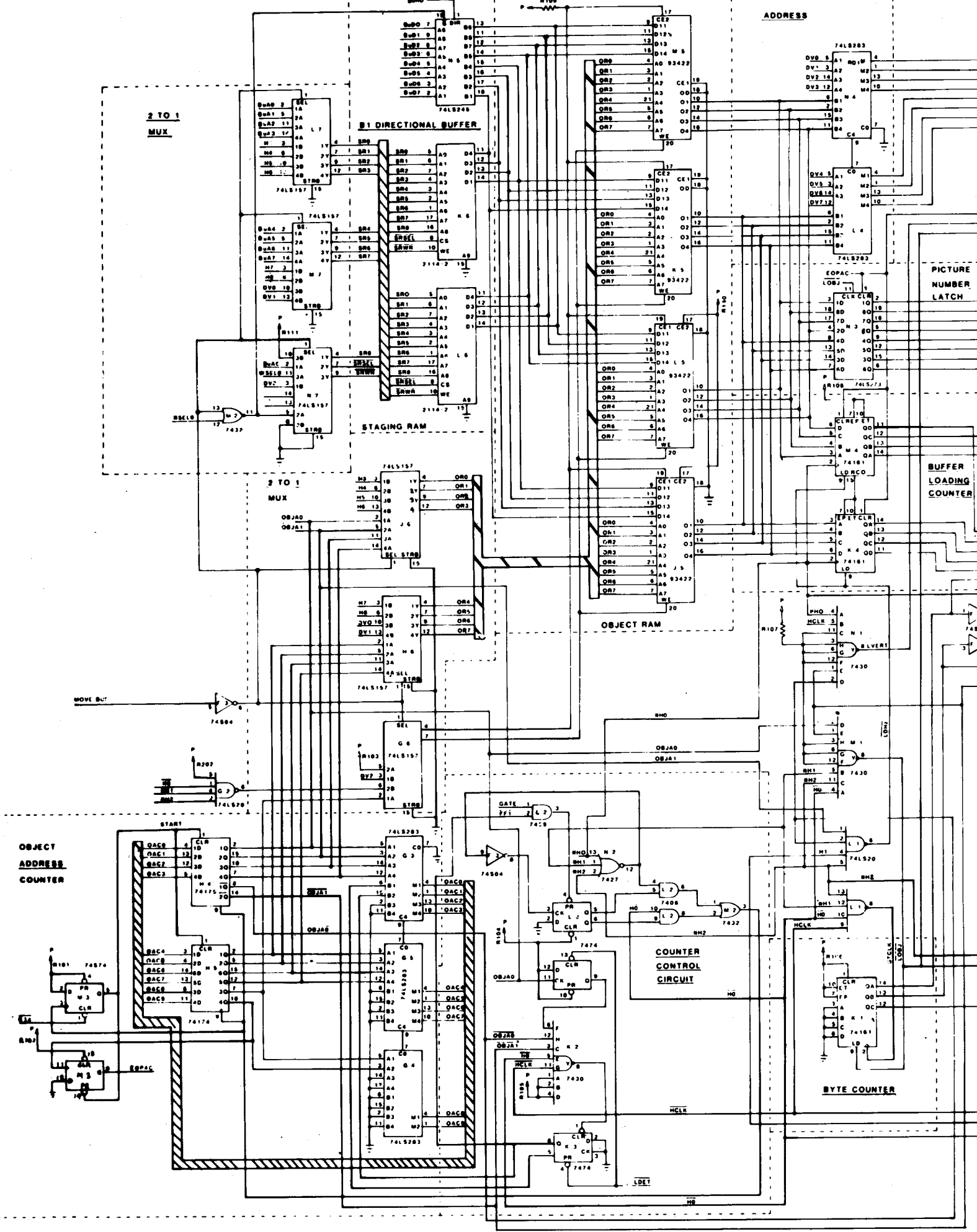


PICTURE NUMBER LATCH

BUFFER LOADING COUNTER

2 TO 1 MUX

DATE



CROSS REFERENCE LIST

<u>PART NOS.</u>	<u>DESCRIPTION</u>	<u>QTY</u>	<u>DESIGNATION</u>	<u>PART NOS.</u>
0986-00800-0900	74166	1	D13	0986-00803-5300
0986-00800-2800	74LS174	1	B14	0986-00803-7500
0986-00800-1000	74190	1	D11	0986-00803-9400
0986-00800-1300	74LS191	6	F3-F5, F8-F10	0986-00803-5600
0986-00800-1200	74LS244	5	B2, B4, B5, E2, F2	0986-00803-4800
0986-00800-2600	74LS245	1	A11	0986-00803-6400
0986-00800-2000	74LS273	1	A4	0986-00803-4700
	74LS367	1	C14	0986-00803-7000
	74LS374	1	A5	0986-00803-4600
	74LS670	2	B9, B11	0986-00803-6300
0986-00800-1100	AY-3-8910	2	F6, F7	0986-00803-8500
0986-00800-1400	LM3900	1	D3	0986-00803-4900
0986-00800-0700	MC3403	2	C10, E10	0986-00803-5000
	MCI4016	3	D7-D9	0986-00803-6200
0986-00800-2700	MCI4024	1	C12	0986-00803-7100
	PROMSB2-A	1	D12	0986-00803-8200
	RAMIK X 8	1	A6	0986-00803-8000
0062-063B3-1XXX	ROM/EPROM 0	1	A7	} EPROM/ROM OPTIONS KIT
0062-110B3-1XXX	" " 1	1	A8	
0062-133B3-1XXX	" " 2	1	A9	
0062-141B3-1XXX	" " 3	1	A10	
0062-144B3-1XXX	Z-80 (3880)	1	A12	
0062-179B3-1XXX				0986-00803-5500
0062-183B3-1XXX				
0062-199B3-1XXX				
0062-201B3-1XXX				
0062-211B3-1XXX				
	16 PIN IC SOCKET	1	ICSD12	0986-00804-1400
	24 PIN " "	5	ICSA6 - ICSA10	0986-00804-1600
	40 PIN " "	3	ICSA12, ICSF6, ICSF7	0986-00804-1500
0062-215B3-1XXX				
0062-227B3-1XXX				
0062-233B3-1XXX				
0062-245B3-1XXX				
0062-247B3-1XXX	2PINKK 100 RT. ANGLE CONN.	1	J6	3000-16366-0200
0062-251B3-1XXX	3 PIN " "	1	J3	3000-16366-0300
	4 PIN " "	1	J5	3000-16366-0400
0062-275B3-1XXX	5 PIN " "	2	J3, J4	3000-16366-0500
0062-287B3-1XXX	7PIN " "	1	J6	3000-16366-0700
0062-313B3-1XXX	13PIN " "	1	J4	3000-16366-1300
0062-323B3-1XXX	18PIN " "	1	J5	3000-16366-1800
	24PIN " "	2	J1, J2	0986-00804-4700
0986-00805-0800				
0986-00805-0600	JUMPER WIRE	2	JW1, JW2	0986-00804-4000
0986-00805-0500				
0986-00805-0400				
0986-00805-0300				
0986-00801-0200	YELLOW LED	1	LED 3	0986-00804-2000
0986-00802-0500				
0986-00802-0400				
	8 POSITION DIP SW.	1	SW3	0986-00805-0900
	10 POSITION DIP SW.	1	SW1	0986-00805-1000
0986-00803-7400	PB SWITCH	1	SW4	0986-00805-1700
0986-00803-6900				
0986-00803-6600				
0986-00803-7600				
0986-00803-5900	16 MHZ CRYSTAL W/3RD LEAD	1	XTAL	0986-00805-1100
0986-00803-7300				
0986-00803-7200				
0986-00803-6100				
0986-00803-6700	SNAPS	3	MHQ101 - MHQ103	0017-00007-0134
0986-00803-6800				
0986-00803-6500				
0986-00803-5100				

PROJ. ENG.: C. MEDNICK

DO NOT SCALE DWG		HEAT TREAT	SCALE FULL	NO REQ D	USED ON TRON	MIDWAY MFG. CO.
DIM TOLERANCES UNLESS SPECIFIED		MATERIAL	FINISH		PART NO.	
CONCENTRICITY ± 0.01	HWN <i>SHL</i>		COMPONENT LAYOUT DRAWING		FRANKLIN PK ILL	
FRACTIONAL ± 0.005	DATE <i>6/23/82</i>		SUPER SOUND I/O P.C. BRD.		M051-00628-A015	
DECIMAL ± 0.005			A082-90913-E000			
HOLE DIA + 0.02 0.00						

DESCRIPTION

QTY

DESIGNATION

33PF 50V 5% AX. CER. 1
 47 PF 50V AX. CER. 2
 100PF 50V 5% AX. CER. 1
 330PF 50V AX. CER. 2
 .0022MF 100V10% MYLAR 12
 .047MF 100V MYLAR 1
 .01MF 50V AX. CER. 47

C144
 C128,C129
 C142
 C161,C165
 C145-C156
 C139
 CP2-CP12,CP14-CP19,
 CP21-CP27,CP29-CP33,
 CP35-CP46,CP48-CP51,
 C140,C173
 C104-C127,C143,C501-C509
 C134,C137,C157-C159,C162-C164
 CP20,CP34,CP52-CP53,CP202-CP204,
 C101-C103,C131,C138,C166,C167,C172
 CP1,CP13,CP47,CP54

.1MF 50V AX. CER. 34
 1MF 20V AX. TANT. 8
 10MF 25V AX. TANT. 15

R164
 R239
 R108-R131,R162,R501-R509
 R231
 R160-R161
 R153,R227,R401
 R157,R158,R163
 R301-R306,R510
 R233
 R101-R107,R165,R166,R225,R226,
 R228,R232,R234,R235,R402,
 R405-R407
 R173-R178,R197-R202
 R146,R151,R155,R156
 R209-R211,R220-R222
 R179,R196
 R213,R224
 R135,R203-R208,
 R214-R219,R403-R404
 R142,R148
 R138,R141
 R144,R145,R149,R150
 R152,R154

470 MF 16V AX. ELECT. 4

22 OHM 1/4W 5% CARBON 1
 100 OHM " " 1
 220 OHM " " 34
 300 OHM " " 1
 330 OHM " " 2
 1K " " 3
 1.2K " " 3
 2.7K " " 7
 3K " " 1
 4.7K " " 19

5.6K " " 12
 10K " " 4
 13K " " 6
 24K " " 2
 27K " " 2
 33K " " 15
 100K " " 2
 180K " " 2
 620K " " 4
 1MEG. " " 2

820 OHM 8PIN S.I.P. 1
 1.8K 10PIN S.I.P. 1
 2.7K 10PIN S.I.P. 4
 4.7K 8 PIN S.I.P. 1
 4.7K 10PIN S.I.P. 2

RM8
 RM9
 RM2-RM5
 RM7
 RM1,RM4

1N4148 6

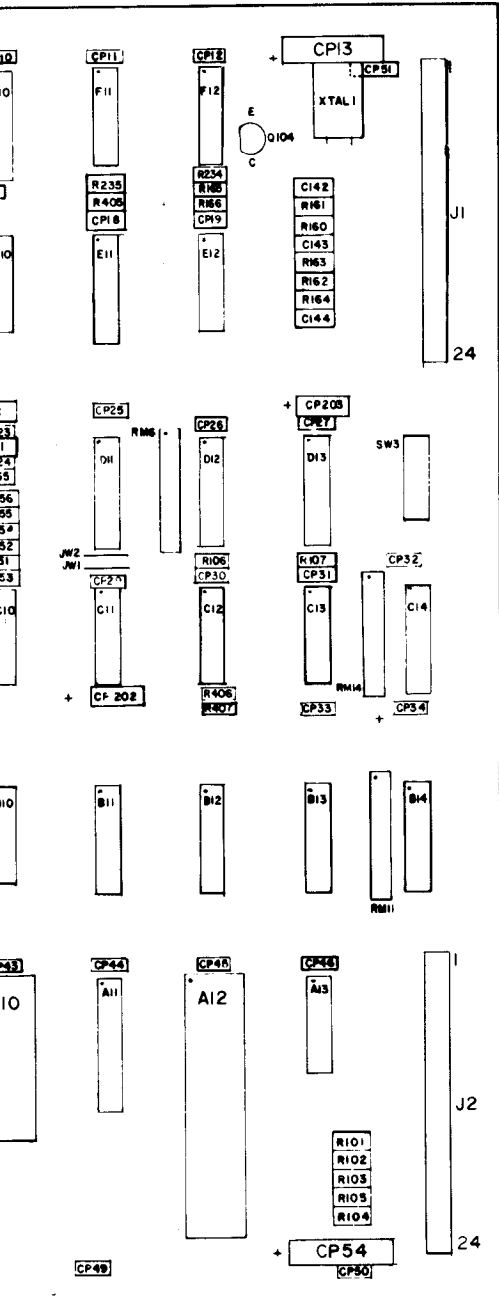
D101-D103,D105-D107

2N4403 1
 TIP 110 3

Q104
 Q101-Q103

74LS02 1
 74LS04 1
 74S04 1
 7406 1
 7407 1
 74LS08 1
 7427 1
 74LS32 1
 7474 1
 74126 1
 74LS138 4
 74161 1

D6
 C11
 F12
 A1
 C6
 A13
 C13
 B10
 F11
 E12
 B7,B8,B12,B13
 E11



DESCRIPTION

- 7407
- MC3403
- 74LS04
- MC14024
- 7427
- 74LS367
- LM3900
- 74LS02
- MC14018
- 74190
- PROMSB2A
- 74166
- 74LS244
- MC3403
- 74161
- 74126
- 74LS244
- 74LS191
- AY-3-8910
- 74LS191
- 7474
- 74S04

- 24 PIN IC SOCKET
- 40 PIN " "
- 16 PIN " "
- 40 PIN " "

- 24 PIN KK100 RT. ANGLE CONN.
- 5 PIN KK100 " "
- 3 PIN KK100 " "
- 13 PIN KK100 " "
- 5 PIN KK100 " "
- 18 PIN KK100 " "
- 4 PIN KK100 " "
- 7 PIN KK100 " "
- 2 PIN KK100 " "

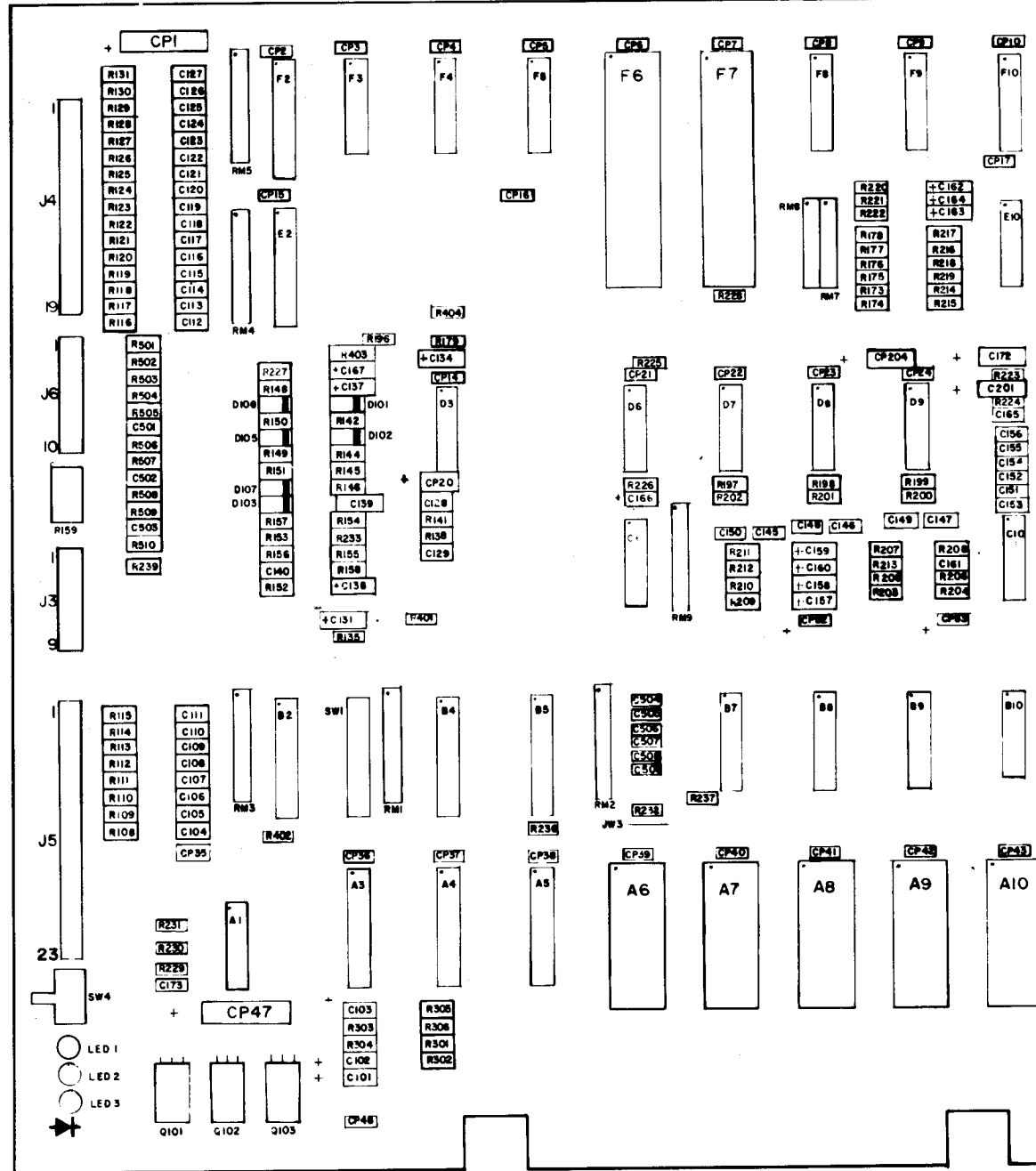
JUMPER WIRE

YELLOW LED

- LED 1
- LED 2
- LED 3
- 10 POSITION DIP
- 8 " "
- PUSH BUT TON S.W.

16 MHZ CRYSTAL

SNAP



DESIGNATION

C101-C103

C104-C127

C128-C129

C131

C134, C137

C138

C139

C140

C142

C143

C144

C145-C156

C157-C159

C161

C162-C164

C165

C166, C167

C172

C173

C501-C509

CP1

CP2-CP12

CP13

CP14-CP19

CP20

CP21-CP27

CP29-CP33

CP34

CP35-CP46

CP47

CP48-CP51

CP52, CP53

CP54

CP202-CP204

R101-R107

R108-R131

R135

R138, R141

R142

R144, R145

R146

R148

R149, R150

R151

R152

R153

R154

R155, R156

R157, R158

R160, R161

R162

R163

R164

R165, R166

R173-R178

R179, R196

